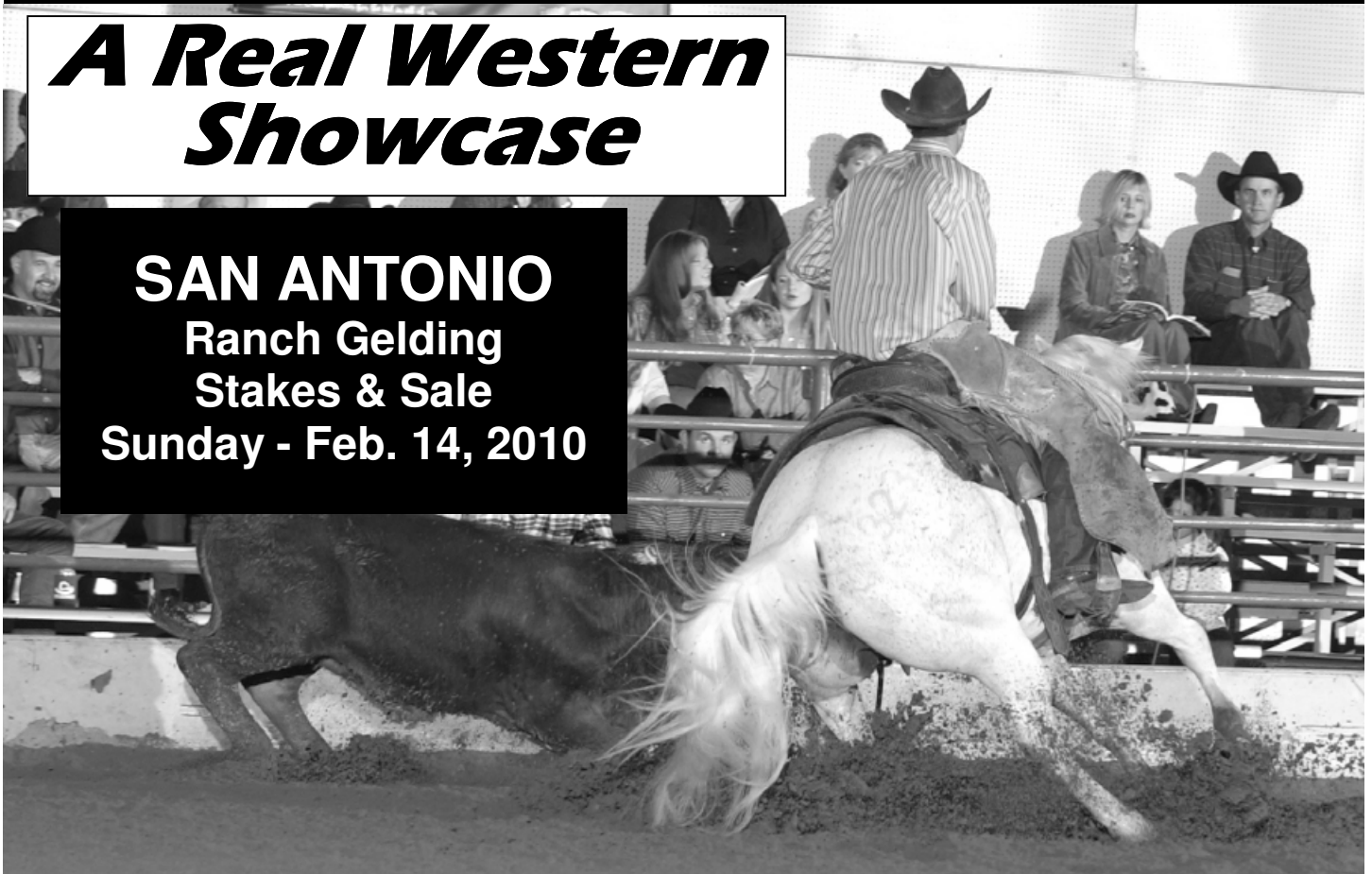


# America's Premier Ranch Gelding Sale

***A Real Western  
Showcase***

**SAN ANTONIO  
Ranch Gelding  
Stakes & Sale  
Sunday - Feb. 14, 2010**



To be held during the 61st Annual San Antonio Livestock Exposition, San Antonio, Texas  
**Stakes Competition: 8:00 a.m.**

**Sale: Held that same afternoon, immediately following the judged competition.**

**THE SOURCE** for the hard-to-find, true using horse and the leading sale of its kind in America. All geldings will participate in a judged competition where each entry will have 6 minutes to perform 6 routine ranch maneuvers before 2 judges.

All geldings will then sell at public auction held that same afternoon. Combined, our last 3 sales have sent geldings to 36 states where satisfied owners have come to depend on us as THEIR SOURCE.

**Join us February 14.**



P. O. Box 224 - Midlothian, Texas 76065  
(972) 775-2880  
[www.DDSEgraves.com](http://www.DDSEgraves.com)  
Email: [MAIL@DDSEGRAVES.COM](mailto:MAIL@DDSEGRAVES.COM)

# TERMS AND CONDITIONS OF SALE

1. **LAW.** The horses are offered for sale according to the laws of the State of Texas.
2. **BIDDING DISPUTES.** The highest bidder will be the buyer, and if dispute arises between two or more bidders, the horse in dispute shall immediately be put up again for advance bids. If there be no advance, the horse shall go to the person from whom the auctioneer recognized the last bid. The auctioneer will decline any bid made by parties who have DEFAULTED in former purchases, or by persons who, in his judgment are not responsible bidders. Immediately after horse is sold, the buyer shall sign acknowledgment of purchase forthwith. The right to bid is reserved by all Sellers and Seller's Agents.
3. **BUYER'S PAYMENT.** Terms of sale are cash (U.S. funds only) to be paid on the day of the sale. Method of payment shall be Cash, Cashier's Check, Travelers Checks or pre-approved Personalized Bank Check which has been verified and approved in advance. **A 3.5% office processing fee will be added to all purchases (however, this fee will be discounted for purchases paid for by Cash, Cashier's Check, or Personal Check.)** However, all registration papers will be retained by the Sale Management until such checks clear the paying institution. Approved MasterCard, Visa and Discover credit cards will also be accepted. Foreign buyers must pay with money orders, U.S. cash currency or personalized bank checks from a United States Bank. Bank drafts will not be accepted. (See CHECK LIABILITY clause below). Any payment made by the buyer to the consignor or any other party will not be regarded as valid or entitle the buyer to delivery or title of the horse. All horses must be paid for in this manner regardless of whether they sell in the auction sale ring or on the auction grounds.
4. **GATE RELEASE.** Upon payment by the buyer to the Sale Cashier, and only the Sale Cashier, the Cashier will issue an order to Buyer which will release the horse from the auction grounds. Buyers are cautioned not to lose this release as it permits holder to pass through the exit gate of the auction grounds with the horse.
5. **LIMITED WARRANTIES.** With respect to any and all warranties, Dale Segraves and Associates, auctioneers and clerks do not represent the Buyer or Consignor, but merely provide a medium for bringing together the Buyer and Consignor for the purpose of sale transactions. All responsibilities and guarantees lie solely between Buyer and Consignor. Except as otherwise announced by the auctioneer at time of sale, the Consignor represents and warrants unto Buyer as follows: (1) the horse is free of functional deficiencies with respect to eyes and wind, (2) the horse is not a "cribber" (windsucker), (3) the horse has not been nerved, (4) the sex or condition of a gelding or ridgeling is as described in the catalog, and (5) title to the horse is free from all adverse claims of ownership, use or possession. All descendants of the AQHA Stallion, IMPRESSIVE, sell "as is"; and the buyer is responsible for obtaining pedigree information not supplied in the Sale Catalog. Except for the foregoing limited warranties, each horse is sold by the Consignor without warranty and as is, with all faults. Every horse will be sold under this rule. There is no guarantee with respect to the physical condition, health, disposition, use or intended use of any horse in this sale other than the limited warranties by Consignor as set out above. A recorded tape will be made of the entire auction which shall be used to settle disputes regarding statements made about horses while in the auction ring. If a dispute arises between Buyer and Consignor, then the recorded tape will be used to settle the dispute.
6. **TITLE.** Title to and risk of loss passes from Consignor to Buyer upon Buyer's signature of confirmation of purchase immediately after the horse is struck down by the auctioneer.
7. **CARE OF HORSES.** Effective from the time of purchase, the Buyer assumes all responsibility for the maintenance and proper care of the horse. No inhumane treatment, abuse or neglect of any horse will be permitted while horse is on the auction grounds.
8. **RISK OF LOSS.** Risk of loss passes from Consignor to the Buyer upon Buyer's signature of confirmation of purchase immediately after the horse is struck down by the auctioneer. This shall especially be the condition in the case of illness, injury or death of any horse after it has been sold. The Buyer agrees to indemnify and hold the Consignor and Dale Segraves and Associates harmless from all loss, cost and expense arising from the illness, injury or death of a horse or loss or damage to property and injury or death of persons caused by the Buyer, the Buyer's agents or employees, or by the horse after horse has been purchased. Under Texas Law (Chapter 87, Civil Practice and Remedies Code), an equine professional is not liable for an injury to or the death of a participant in equine activities resulting from the inherent risks of equine activities.
9. **REMOVAL OF HORSES.** All horses must be removed from the auction sale grounds by no later than 10:00 A.M. on the day following the sale. Failure to remove the horse for any reason will obligate the Buyer to pay all costs associated with board and transportation of the horse.
10. **CATALOG ERRORS.** Every effort has been made to assure correctness of the sale catalog. However, the sale management, San Antonio Livestock Exposition, auctioneers and announcers are not responsible for errors or omissions, and assume no liability on its part or on the part of Consignors as to any statements made by the Consignor which are printed in the catalog on behalf of Consignor. When errors or omissions are brought to the attention of the sale management, auctioneers or announcers, or when such errors or omissions are discovered by the sale management, announcements will be made to correct such errors or omissions. Buyer's are cautioned to pay close attention to these announcements made by the auctioneer or announcer at time of sale as these announcements will take precedence over the printed matter in the sale catalog. A recorded tape will be made of the entire auction to fully document these announcements.
11. **REGISTRATION CERTIFICATES AND TRANSFER.** All registration certificates and transfer reports will be held by sale management for a minimum of 15 banking days or until Buyer's check clears the drawee bank and becomes unconditional credit, whichever is latest. Registration certificates and transfers will then be sent to AQHA/APHA for recording the transfer of ownership into the Buyer's name. Buyer's will receive the Registration Certificate from the AQHA/APHA. Any fees pertaining to membership as required by the American Quarter Horse Association or the American Paint Horse Association will be paid by Buyer. Buyer is hereby notified that in order to transfer a horse into Buyer's name, Buyer must be a current AQHA or APHA member.
12. **CAUTION.** Everyone attending this sale agrees to save and hold harmless and indemnify San Antonio Livestock Exposition (S.A.L.E.), Dale Segraves and Associates (the Sale Management Company), its agents, employees or servants, from and against any and all liability, debt, claims, suits, losses, damages, causes of action, judgments, costs and expenses, including attorneys' fees, arising or allegedly arising from personal injury or death of any person or horse, including but not limited to employees of the Consignor or Buyer, property damage, including loss of use thereof, economical loss or otherwise, arising or growing out of the use of any of the facilities in connection with the auction sale due in any manner to the negligence or intentional acts of the Consignor, Buyer or Spectator any of their employees, agents or servants in the performance of any act, error, omission or negligence of S.A.L.E. or the Sale Management Company occurring concurrently with that of the Consignor, Buyer or Spectator contributing to any loss indemnified hereunder, except for the sole negligence or willful misconduct of the S.A.L.E. or the Sale Management Company. It is further understood and agreed that in no case will S.A.L.E. or the Sale Management, its directors, officers and managers, or any of them be held responsible for any loss, damage or injury of any character to any person, animal or article during the sale.
13. **INSPECTION OF HORSES.** Prospective buyers are cautioned and hereby instructed to examine horses thoroughly before purchasing. Buyers should refer to the LIMITED WARRANTIES condition printed above and read the LIMITED WARRANTIES condition in its entirety. It will be strictly enforced.
14. **HEALTH REQUIREMENTS.** All horses selling in this sale have met the health requirements for the State of Texas, have been required to have been Coggins Tested negative for Equine Infectious Anemia within the past 12 months from the day of the sale, and have been required to have undergone a health examination.
15. **CHECK LIABILITY.** The law regarding insufficient fund checks is as follows: Any person signing a personalized check in the State of Texas will be held liable for the amount of the check. Acceptable form of personal identification will be required. No post dated checks will be accepted. Appropriate legal services will be obtained in whatever State and County necessary in the United States to secure performance of any check given. These conditions will be enforced to the fullest extent of the law and no exceptions will be made.
16. **RESALES.** In the event a Buyer defaults on accepting or paying for a horse sold to Buyer, the Sale Management reserves the right to accept the same purchase amount from another person, accept the next highest bid, put the horse up for sale a second time, or retain it for the Consignor as unsold; however, nothing shall prevent the sale management and/or the Consignor from pursuing whatever legal remedy available to compel the Buyer to perform as set out herein. Mistakes made by the auctioneer will also necessitate the resale of a horse.
17. The Seller/Consignor shall pay the AQHA/APHA transfer fee.

## RANCH GELDING SPONSORS

H & H LIVESTOCK, L.C. ♦ D & D FARM & RANCH ♦ WRANGLER

(See Ad Inside Front Cover)

(See Ad Inside Back Cover)

### H & H Livestock Horse Division Pearsall, Texas



*For more information contact:*

**Cattle Marketing**

Lew Thompson, Marketing Director

830/334-8227 (O) • 830/965-3058 (M)

830/334-8106 Fax

[www.southtexascattlemarketing.com](http://www.southtexascattlemarketing.com)

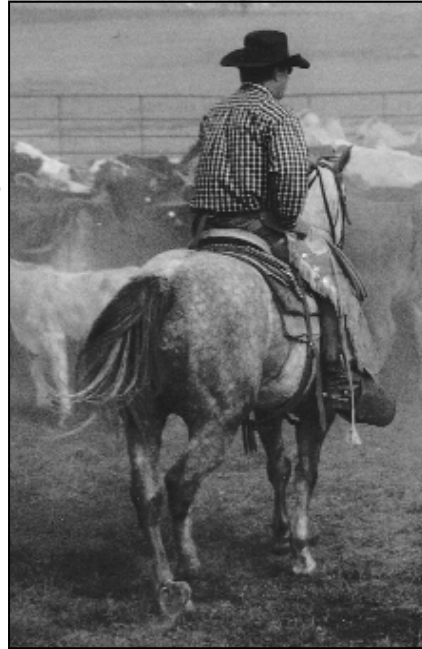
*Home of:*

***Nu Lena***

***Zan Silver Pay***

***Gray Magnolia Jack***

***Double Diamond***



# D & D

## Farm & Ranch

**Western Wear • Tack**

**Fence • Trailers**

# and Wrangler

Both Western Originals



# **The 2010 San Antonio Ranch Gelding Show & Sale is Dedicated to**

## **ARCHIE JEROME SCHUCHART**

**1895-1988**

Archie Schuchart was born November 29, 1895 at home in the small community of Cliff, Texas in Medina County. His parents were Christopher and Rosa Schuchart who owned an extensive farming and ranching operation. He and his brother Raymond continued the operation as Schuchart Brothers after their father's death in 1922. During the drought of the 1950's, they turned to ranching exclusively, raising registered Polled Herefords which soon became a prized herd, well known for its breeding stock. Archie's keen discernment of cattle enabled him to often be a judge at San Antonio and surrounding area livestock events.

Horses were a necessity in the ranching business, and Archie became adept at training them. His love for the animals was evident and they in turn respected him. When checking fences or wells, Archie could step off his horse, drop the reins on the ground, and the horse would wait patiently, never needing to be tied up.

His ability to train young and unruly horses or correct already spoiled ones into gentle and useable animals became widely known and soon people were bringing him their own horses to 'educate.' Some of his favorite stories were of the horses he disciplined. He could recall with minute detail their particular bad habits or traits, and how patience and perseverance paid off in taming ones that no one else could get near. The well known Cecile Smith and Associates purchased a number of Archie's horses because of their performance and stature. He also sold one of his favorite horses "Baby Doll" to the King Ranch.

However, his extraordinary training ability was never as evident as when he calf roped. He was a renowned and storied calf roper, who declined an invitation to rope in Madison Square Garden because he was unable to attend at that time. He was not only a champion roper, but he had a special talent for communicating with his horse that allowed the two to work effectively as one. He could ride his horse into the box, rope and tie the calf, without a bridle to control, rein or stop his horse! He loved to exhibit the light reining ability of his horses by using whatever was at hand (other than a bridle,) usually a pigging string or bailing wire as his reining devise. Many times he was asked to open a rodeo by backing his horse into the box, take the bridle off, ride to the middle of the arena to rope a 100# sack of oats, step off his horse and say "take it," cueing his horse to back up and drag the oats across a designated line. He also raced horses, exhibiting his bond and trust with the animal that other riders could only wish for.

Archie's love for his horses allowed him to ride well into his 80's. When the mail would come, he would call his gentled horse to the yard fence, slip a piece of bailing wire around its neck, ride down to the mailbox, returning to the yard gate, slide off the horse using its mane as a saddle horn, slip the bailing wire off his beloved steed and hang it on the gate post for the next day.

As per his wish, Archie died March 30, 1988 at home, in the house where he was born and lived his entire life, with the love of his life and wife of 57 years, Helen, and their three children at his side. He was a true gentleman with many talents, but best known for his calf roping and horse training. Archie worked his cattle and trained his horses with a gentle soothing manner, which he carried over in his daily life. He was a very humble man who never exalted his own accomplishments, but dwelled on the achievements of others. However, many believe he was truly the 'horse whisperer' of his time.

# ARCHIE JEROME SCHUCHART

1895-1988



## **Gelding Stakes & Sale - Previous Dedication Recipients**

Mike Hildebrand - 1995  
Beto Muzquiz - 1996  
J. Graham Quesenberry - 1997  
J.M. (Jimmy) Phillips - 1998  
Wayne Pooley - 1999  
Roy Hindes - 2000  
Dan W. Kinsel, Jr. - 2001  
Mary Nan West - 2002

Walter H. Joyce, Jr. - 2003  
Betty Katherine D. Henrichson - 2004  
Leonard Stiles - 2005  
Frank DeRyee Henrichson - 2006  
J.B. Hill - 2007  
Sidney Afton Lindsay, Jr - 2008  
Howard Stulting - 2009

# THE 2010 RANCH GELDING COMPETITION

---

All geldings entered in the show & sale will be required to perform and be judged on their ability to do certain tasks that are routinely associated with ranch work. This competition will be carried out before an audience of prospective buyers which will be making their selections for the auction which will immediately follow the competition and awards. The competition will begin at 8:00 a.m. on Sunday morning, February 14th.

Although the competition and judging is in fact a "show", it is unlike that of any other AQHA approved event. It is in fact a series of maneuvers which the ranch horse must perform everyday. These maneuvers are as follows:

1. Gelding will enter the arena already saddled and being led by the rider. Rider will lead horse to center of the arena, drop reins to the ground and pick up all four of the horse's feet.
2. Rider will Mount and begin Handling Ability (see Diagram on next page).
  - 2) The rider shall mount and TROT to the center of arena in preparation for circles; 3) Begin a lope in the left lead, starting the first circle to the left; 4) Complete this circle small and slow; 5) Complete this next circle, also to the left, large and fast; 6) Change lead to right lead in center of arena and begin small circle to the right. (See diagram); 7) After changing leads reduce speed and complete this circle to the right, small and slow. (See diagram); 8) Complete this next circle, also to the right, large and fast. (See diagram); 9) Change lead to left lead in center of arena and begin a large half circle to the left; 10) Make this half circle to the left, large and fast, and turn left at the completion of the half circle to begin first run down; 11) Run down the middle of the arena to the far end of the arena and do a right rollback with no hesitation; 12) Run down the middle of the arena to the opposite end of the arena and do a left rollback with no hesitation; 13) Run down the middle of the arena to just past the center of arena and do a sliding stop; 14) Back up a minimum of fifteen feet. Hesitate; 15) Do three complete 360 degree spins to the right. Hesitate; 16) Do three complete 360 degree spins to the left. Hesitate; 17) TROT to the arena fence where the rain slicker is located; 18) Pick up the rain slicker and drape across the front of the saddle; 19) TROT to the end of arena and lay the rain slicker over the top of the fence (Cow work begins next.)
3. One yearling heifer or steer will be turned into the arena. Cattle draw will be by gate cut. Gelding will be required to first work the yearling against the short end of the arena fence (similar to a cutting horse). Next, the rider shall drive the yearling down the long side of the arena fence, pass, and turn the yearling back the opposite direction (similar to AQHA Working Cowhorse). This last maneuver shall be performed once in each direction.
4. Rope the yearling, dally, drag yearling a minimum of 10 yards, and release dally. (Only two loops will be permitted and loop must pass over the yearling's head.)
5. Exit the arena with the rider opening and closing the gate from horseback.

**A 6-minute time limit will be allotted to each gelding to perform the above maneuvers.**

A panel of two judges, who are all well qualified to judge ranch horses, will score each gelding. The two judges' scores will then be totaled to come up with the composite placings. Awards will consist of cash prizes totaling \$7,500.00 from 1st thru 8th places. First place, the Champion, will receive a new saddle with the name of the show & sale, and the year stamped on the saddle's stirrup fender. Second thru eighth place will receive a hand-tooled breast collar with the name of the show, sale and year stamped on.

### **Cash awards will be as follows:**

1st Place - \$2,100.00 plus new saddle to winner	5th Place - \$675.00 plus hand-tooled breast collar
2nd Place - \$1,725.00 plus hand-tooled breast collar	6th Place - \$525.00 plus hand-tooled breast collar
3rd Place - \$1,050.00 plus hand-tooled breast collar	7th Place - \$375.00 plus hand-tooled breast collar
4th Place - \$900.00 plus hand-tooled breast collar	8th Place - \$150.00 plus hand-tooled breast collar

**Cowboy's Choice Award** - \$25.00 of each consignment fee will be held in a separate purse and will be awarded to the Top 3 Geldings as voted by the Consignor's of the Ranch Horse Competition.

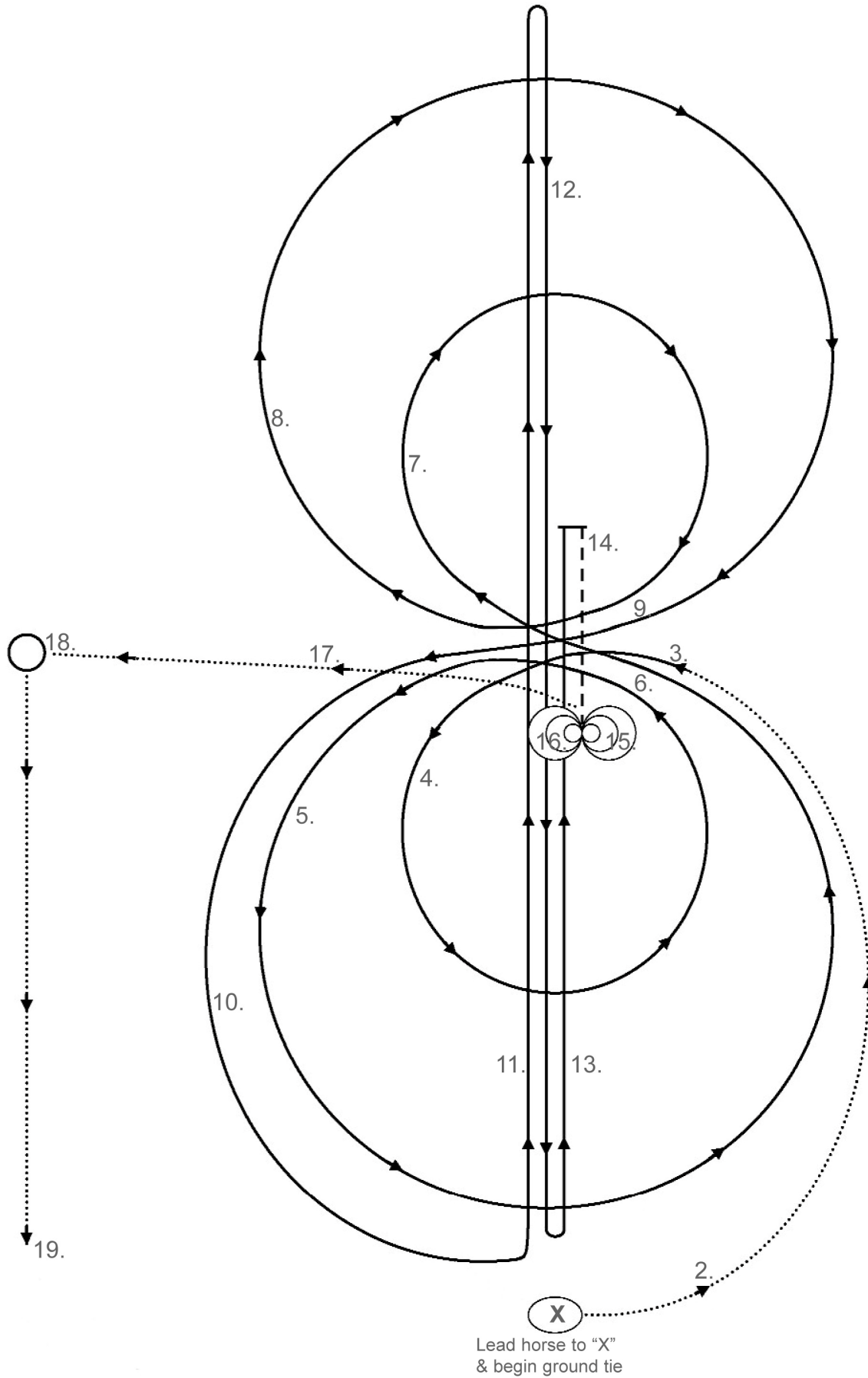
- a. Each Consignor will receive only one ballot regardless of the number of horses he or she has consigned.
- b. Consignor can not vote on a horse he/she owns.
- c. Purse for this award will be divided according to the following percentages: 45% for first place, 37% for second place, and 18% for third place.

### **The 2010 Ranch Gelding Sale**

A brief award ceremony will kick-off the auction, with each of the eight placing horses receiving their award in the auction ring while photos are taken. Geldings will then sell in catalog order.

**The Sale will be held in the Auction Sale Arena on the grounds of AT&T CENTER.**

# HANDLING ABILITY DIAGRAM



## RANCH GELDING JUDGES

### **BOBBY ATWOOD - Kosciusko, Miss.**

Bobby Atwood has been associated with the cattle and ranch horse business all of his life. In the early part of his career he roped calves professionally and was a member of the Professional Rodeo Cowboys Association (PRCA) for 15 years. Later he moved over into the team roping event and became more actively involved in the actual hands-on training of cutting and roping horses.

Bobby began training ranch horses for his own personal use in the early 1990's. He began competing in the San Antonio Ranch Gelding Stakes and Sale in 1994 and since that time he has won the event six times, more than any other single exhibitor. The 2009 show makes his first time to serve as a judge for the event.

Today, Bobby owns and operates a 1,000 head capacity growing yard near his home town of Kosciusko, Mississippi. Here, he accepts light weight calves and conditions and grows them before contracting them to a finishing feedlot. He supplements this growing yard business with his own cow calf herd. Bobby's ranch horses obviously play a big role in this cattle operation and he continues to produce top quality horses that are very capable of handling any kind of ranch work.

### **CLAY JOHNS - Millsap, Texas**

Clay Johns has spent his entire lifetime with the working horse and is a familiar face around cutting horse events, whether it is in the judge's box or exhibiting in the arena.

Clay has been an approved NCHA judge since 1975, having judged NCHA events from coast to coast. He has been an approved AQHA judge since 2000, specializing in the events of cutting and the all new AQHA Versatility class. Clay has judged such prestigious events as the NCHA Futurity, the NCHA Super Stakes (three times), the NCHA World Finals, and is now becoming actively involved as a judge of the AQHA Versatility class.

Clay is a member of the AQHA Professional Horsemen Committee. He has served as an NCHA Director and has served on several NCHA Committees.

Clay owns and operates a training facility near Millsap, Texas, where he specializes in the training of cutting horses for the public. He also operates a yearling stocker operation and furnishes cattle too many of the NCHA cutting events in the North Texas area.

## RANCH GELDING CONSIGNOR INDEX

<u>CONSIGNOR</u>	<u>LOT#</u>	<u>HORSE</u>	<u>CONSIGNOR</u>	<u>LOT#</u>	<u>HORSE</u>
33 HORSE & CATTLE CO	5	SANTO LEO SAN	MCNEILL, KARY	48	PEPPER KENT HANCOCK
BELL, ANDREW & CARTER	30	SMART LITTLE JAZAREY	MERRILL, JACK	9	GATOR IN THE SAND
CAMPBELL, DEAN	25	DONT JO	MILLS, MARK	40	SMOKEY BLU HAVEN
CARTER, RENEE	22	YELLOW BLANKIT	NORMAN, SCOTT	35	PLAUDITS RETURN
CERNY, CLAY & JODIE	28	MH IM ALL CLASS	O'BRIEN, JAMES	23	BIG TIME QUAIL
CHILDS, BILL	45	LINDAS DAZZLING GENT	O'BRIEN, JOHN MORGAN	44	PLAYGUNS ROYAL MOON
COLLINS, KEN	43	WR COUNT RODEO	PALERMO, TONY	32	SLY DOCS
CONNER, WILL	7	WEATHERFORD OAK	PAPE, MARTY	2	EVER SO COWBOY
COWBOY COLLECTION QH	19	TAZ N WOOD	PEARSON, CASEY	6	LITTLE BROWN HANCOCK
COWBOY COLLECTION QH	38	ROMANCING THE COW	PEARSON, CASEY	34	GP FIDDLIN SCRIPT
CRISWELL, BUTTON	21	PADRES ANGEL JOE	PEARSON, CASEY	53	DESERT SHAY
CRISWELL, BUTTON	50	SANDS CAL PEPPY	PIERCE, MIKE	11	SEVENS GREY CLAY 501
ERICSSON, MARY	4	NOAH DOC	RICHARDSON, T	26	IMA SPORTIN SUGAR
FRED BRAY RANCH	14	JUSTA CAMISETA	RIDDLE, TIM	8	ROCK N ARRAY
FRED BRAY RANCH	31	RAZMATAZLENA	RIDDLE, TIM	36	MR JACK THREE
GONZALES, DANNY	49	WEST FOUR POKE	RIDDLE, TIM	52	SPURS LIL MITO
H&H LIVESTOCK LLC	10	DOC PARR LIGHTNING	ROLLER, DUSTIN	46	HIGH MARKED DOVE
HALL, TONY	27	HIGHBROWS JOKER	SANDERS, TONY	29	SEA MATE
HALL, TONY	51	BLUE STEEL COWBOY	STEVENS, STACIE	3	FISHIN FOR CHICS
HATHAWAY, ANDREA	1	BURN ONE TURN ONE	SWENSON LAND & CATTLE	42	RS JACK
HOLDEN, SHAWN	17	RED RIVER ROOSTER	TRUDENBACH, GILES	33	LITTLE HAIDA GUN
HOLDEN, SHAWN	39	SHAKE RATTLE N SHINE	WARREN, KAYLA	24	IMA DUALIN LENA
KING, JOSH & AMY	18	AUSSIE CHOCOLATIER	WATSON, ZACHARY	37	WP KING RING
LAWRENCE, CHRIS	13	WOODYS GOT A GUN	WEST FARMS	12	DUN COMMANDER CODY
LONE TREE RANCH	20	NU TRASH	WEST FARMS	41	BOON BLAZEN JAZ
MCCORMICK, MARTY	15	WINNIN RIDE	WILLIAMS, BRAD	47	CHEXOUTMYGOLDENTUX
MCNEILL, KARY	16	HIGH SEJAS SENOR			

LOT  
**301**

PROPERTY OF **ANDREA HATHAWAY**

## BURN ONE TURN ONE

AQHA #4407686  
2003 SORREL GELDING

Peppy San Badger	Mr San Peppy
<b>Dual Peppy</b> - AQHA	Sugar Badger
Miss Dual Doc	Docs Remedy
	Miss Brooks Bar
Freckle Doctor	Colonel Freckles
<b>Doctors Debutant</b> - AQHA	Lynx N Lace
Sissy San Doc	Mr San Doc
	San Bar None

**Burn One Turn One** was shown at the NRCHA Reined Cow Horse Futurity. He is real fancy out of the herd. He has been lightly shown. He is safe for youth or Non-Pro rider. Watch his big stop in the competition

**SIRE: Dual Peppy** ...\$89,450, NCHA \$10,000 Novice World Champion; PCCHA Open Derby Champion; AQHA Reserve World Champion Senior Cutting Horse; NCHA Bronze Award. He is by Peppy San Badger (AQHA), 1977 NCHA Futurity Champion, 1978 Derby Champion, 1980 NCHA Reserve World Champion, NCHA Hall of Fame, earner of \$172,710, and sire of money earners in excess of \$25,000,000, including Peptoboonsmal, NCHA Open Futurity Champion, \$180,487; Little Badger Dulce, NCHA Open Futurity Reserve Champion, NCHA Open Super Stakes Champion, NCHA Open Reserve World Champion, NCHA Horse of the Year, \$668,461; Haidas Little Pep, NCHA Futurity Reserve Champion, NCHA Reserve World Champion, \$425,174; Dual Pep, \$313,192; and many others.

**DAM: Doctors Debutant** ... She is a granddaughter of Colonel Freckles, NCHA Open Futurity Champion, sire of the earners of over \$4,402,000, including Colonel Lil \$244,145 NCHA Open Futurity Champion; 4th, NCHA Open Super Stakes, Cols Lil Pepper (\$187,384); etc.

LOT  
**302**

PROPERTY OF **MARTY PAPE**

## EVER SO COWBOY

AQHA #4224151  
2002 PALOMINO GELDING

Smart Little Lena	Doc O'Lena
<b>Ever So Peppy</b> - AQHA	Smart Peppy
Crystals Lil Peppy	Peppy San Badger
	Hollywood Crystal
Kings Relief	King Hankins
<b>Toliver Mare KR003</b> - AQHA	Poco Golden Hornet
Halftime Stats Polly	Halftime Stats
	Union Bars Lady

**Ever So Cowboy** is a very pretty, gentle, quick footed palomino gelding. He has been used for the past two years in a feed yard and yearling operations in Mason, TX. He has been used to ride pens, rope and doctor outside cattle, sort both in an alley and out in the pasture and load trucks. He is gentle every day and easy to shoe and load. He will really watch a cow or run to one to rope. He has been lightly started both heading and heeling but has never had a tie-down on. He was the Top Horse of the Llano County Ranch Rodeo in October of 2009. This is a really nice broke horse that is used to doing a day's work. Would be a really nice team penner or sorter or a nice team roping horse.

**SIRE: Ever So Peppy** ... He is sired by Smart Little Lena, \$743,275, NCHA Triple Crown. Equistat #1 All-Time Leading Cutting sire, an NRHA All-Time Leading Sire and a All-Time Leading Reined Cowhorse Sire, siring the earners of over \$37,400,000. Equi-Stat #1 Leading Cutting Maternal Grandsire whose daughters have produced earners of \$36,200,000. His get includes Red White And Boon, \$930,954, NCHA Open Derby Reserve Champion, 5-time NCHA Non-Pro World Champion, AQHA Amateur World Champion; Smart Peppy Lena (APHA), \$495,600, NCHA Non-Pro Co-Reserve World Champion; and many others.

# FISHIN FOR CHICS

AQHA #4844919  
2005 GRAY GELDING

	Dash For Cash
First Down Dash	First Prize Rose
<b>Fishers Dash</b> - AQHA	Beduino
Fishers Favorite	Ought To Go
	Doc O'Lena
Smart Little Lena	Smart Peppy
<b>Little Chiclena</b> - AQHA	Chick's Etta Deck
Chick Bar Girl	Miss Georgy Girl

**Fishin For Chics** is a gorgeous gray horse that is a cowboy's right hand. He is Mark's first choice to ride for a day's work, so he's been camped on and knows the job. He's a pro at gates, sorting, penning, and roping cows in the pasture, dragging a steer, turning back at a cutting, or packing the kids around. This is the horse with color, all the necessary work skills, a willing attitude and great disposition. He will be demonstrated by Mark Mills.

**Mark Mills** has been a cutting horse trainer for over 25 years with a successful training and showing operation just west of Houston, Texas. He's ridden many horses to an NCHA Top Ten in the World standings and coached as many youth, amateur, and non-pro riders to the same. He is nearly to the finish line of winning \$1 million in lifetime earnings over the course of his cutting career and will soon be inducted into the NCHA Hall of Fame.

**SIRE: Fishers Dash** ...He is by First Down Dash, SI-105, 15 starts, 13 wins, 1 second, \$857,256, Stakes Winner of 8 races.

**DAM: Little Chiclena** ... She is by Smart Little Lena, \$743,275, NCHA Triple Crown Champion, and the sire of the earners of over \$37,400,000.

# NOAH DOC

AQHA #4674147  
2005 CHESTNUT GELDING

	Doc O'Lena
Smart Little Lena	Smart Peppy
<b>Arc Matt O Lena</b> - AQHA	Gay Bar King
Gay Sugar Chic	Chicy Little
	Doc Bar
Doc's Hickory	Miss Chickasha
<b>Hickory Freckles Joy</b> - AQHA	Jewel's Leo Bars
Freckles Joy	Croton Breaks

**Noah Doc** has done lots of day work both spring and fall. Drug calves and team roped. My 5 year old son always cools him off after competing at all the shows. He's currently qualified for 2010 NRCHA World Finals Ltd. Open Hackamore Rider Ross Ericsson. RHAA World Qualifier Junior Class 2009. 3rd Place NRCHA Derby 4/5-Year Old Colorado State Fair Open Finals. 3rd. Place NRCHA E-Bar -G Derby 4/5-Year-Old Stephenville, Texas, Open Finals. Stock Horse of Texas (SHOT) 3 shows earner of 42 points in Reining and 44 points in Cow Work.

**SIRE: Arc Matt O Lena** ... World Show Sr Reining 8<sup>th</sup> Place (1999 Open); World Show Jr Reining 10<sup>th</sup> Place (1998 Open); Performance ROM (1998 Open); Earned: 2 Performance Wins; 34.0 Performance Points; 1 Performance ROM. Other Earnings: AQHA World Championship Show \$1,225.73; National Cutting Horse Association \$20,700.92; National Reining Horse Association \$10,928.50. He sired 189 Foals of which 36 were performers. His foals have earned: 8 Performance Wins; 39.5 Performance Points; 1.0 Halter Point; 1 Performance ROM. Other Earnings: National Cutting Horse Association \$6,569.75; National Reining Horse Association \$15,463.63; National Reined Cow Horse Association \$38,910.26.

LOT **305**

PROPERTY OF **33 HORSE & CATTLE CO**

# SANTO LEO SAN

AQHA #3699795  
1998 SORREL GELDING

**Santo Leo San** was the 2001 West Texas Futurity Champion, earning \$7,637.81 NCHA money. He has ranch and feed yard experience. This is a very gentle, kind and safe horse for most anybody. Not hot, but not lazy either. Outstanding ranch horse or one that can go back to cutting competition.

**SIRE: Santo San ...** He is sired by Mr San Peppy, earner of \$107,866 and 161 AQHA points. Two-Time NCHA World Champion, NCHA Hall of Fame, NCHA Open Derby Champion, NCHA Non-Pro Finals Champion, AQHA World Champion Senior Cutting Horse. Sire of the earners of over \$2,294,392, including Peppy San Badger, \$172,710, NCHA Open Futurity and Derby Champion, NCHA Open Reserve World Champion; Tenino San, \$144,658; etc. 1997 Equistat Leading Cutting & Reining Maternal Grand-sire, siring the dams of Smart Peppy Lena, (APHA) \$395,275, NCHA Non-Pro Co-Reserve World Champion, NCHA Open Super Stakes (5th) Champion Gelding; Santa Belle, \$215,297 NCHA Open Top Five, NCHA Gold Award; etc.

**DAM: Leo San Leta ...** She is a granddaughter of Peppy San Badger (AQHA), 1977 NCHA Futurity Champion, 1978 Derby Champion, 1980 NCHA Reserve World Champion, NCHA Hall of Fame, and earner of \$172,710.

- Mr San Peppy
- Santo San** - AQHA
- Mi Santa
- Mr San Martin
- Leo San Leta** - AQHA
- Price's Leo Leta
- Leo San
- Peppy Belle
- Rey Del Rancho
- Santa Anita Baby
- Peppy San Badger
- Fantasma Martin
- Leo Matador
- Husker's Nancy

LOT **306**

PROPERTY OF **CASEY PEARSON**

# LITTLE BROWN HANCOCK

AQHA #3874134  
1999 BAY GELDING

**Little Brown Hancock**, aka "Bo", is an outstanding ranch horse that has also been team roped on and used in team sorting competitions. At 15 hands and 1150 pounds, he is built just right for whatever event you want to do. He has been used mainly as a head horse in the arena and can really run. He was started on a ranch in true cowboy fashion, he was never asked to do more than he could handle. Because he was started slowly and correctly, nothing bothers him and he gives 110% every time. This is the kind of horse that everyone should have in their barn.

**Casey Pearson.** My family has been involved in ranching and raising horses for more than 70 years. I have trained and shown horses that have competed and won at AQHA shows as well as rodeos. I qualified two times to the CNFR while earning a degree from Sam Houston State University. Since graduating college, I have qualified for the California PRCA Circuit Finals in calf roping, and most recently I qualified for the 2009 PRCA Prairie Circuit Steer Roping Finals. I have always had a great deal of pride in the horses I've trained and in the success others have had on horses I trained.

- Hancock Duplicate
- Red Rooster Hancock** - AQHA
- Hancock Amanda
- Little Brown Joe
- Hot Fudge Hancock** - AQHA
- Josephine's Dusty
- Lowry Boy 36
- Seminole Lucy
- Seminole Charley
- Hancock Polly
- Little Black Joe
- Rosa Hancock
- Geno Pole Cat
- Nocona Josephine

LOT **307**

PROPERTY OF **WILL CONNER**

## WEATHERFORD OAK

AQHA #4286419  
2002 BAY GELDING

CD Olena	Doc O'Lena
<b>CD Command</b> - AQHA	CD Chica San Badger
Commander's Bay	Commander King
	Miss San Jay
Doc's Oak	Doc Bar
<b>Gloria Oak</b> - AQHA	Susie's Bay
Snippy Glo	King Glo
	Sam's Miss 44

**Weatherford Oak** is a nice little horse that anything can and has been done on. Kids can ride. He has had a lot of cattle doctored outside. He is a nice heel horse and he will really cut a cow. Sound and gentle for anyone.

**SIRE: CD Command** ...He is by CD Olena, earner of \$170,706, NCHA Futurity Open Champion, NCHA Derby Open Champion, Chisholm Trail Derby Open Reserve Champion, NCHA Horse of the Year. An Equi-Stat All Time Leading Cutting Sire and a Leading Reined Cowhorse Sire, siring the earners of over \$12,600,000; including Sister CD, \$688,823, 2008 NCHA Super Stakes Open Classic Champion, 2007 NCHA Non-Pro Super Stakes Classic Champion, 2006 NCHA Non-Pro Super Stakes Champion, 2006 NCHA Non-Pro Super Stakes Champion; Playin CDs, \$223,606, 2001 NCHA Non-Pro Super Stakes and Open Gelding Stakes Reserve Champion, 2002 PCCHA Non-Pro Classic/Challenge Reserve Champion; Classical CD, \$227,013 NCHA; Capoo, \$138,244; etc.

**DAM: Gloria Oak** ...She is by Doc's Oak, \$75,658; NCHA Hall of Fame; split 4th, NCHA Open Futurity; finalist in the NRCHA Snaffle Bit Futurity. An Equi-Stat All-Time Leading Cutting Sire, siring the earners of over \$9,600,000, and an NRHA All-Time Leading Sire.

LOT **308**

PROPERTY OF **TIM RIDDLE**

## ROCK N ARRAY

APHA #399555  
1997 PALOMINO SOLID GELDING

Handys Soft Touch	So Chubby
<b>Mr Beau Ti</b> - APHA	Nugget Image
Miss Osage Duke	Spottie Nick
	Miss Duke Too
Spanish Array	Skip's Barber
<b>So An Array</b> - AQHA	Spanish Galla
So Lucky Lady	So Impressive
	Amac Lucky Dot

**Rock N Array**, aka "Rock", is a big nice horse for anyone to ride. He has been roped on in the pen and outside.

**SIRE: Mr Beau Ti** ... An APHA stallion carrying some of the best APHA foundation bloodlines.

**DAM: So An Array** ...She is a daughter of the AQHA World Champion, Spanish Array.

# GATOR IN THE SAND

AQHA #4381000  
2003 PALOMINO GELDING

	Jewel's Leo Bars
Freckles Playboy	Gay Jay
<b>Playin Safari</b> - AQHA	Mr. Linton
Miss Safari	Queen's Heiress
	Doc O'Lena
Smart Peppy Doc	Smart Peppy
<b>JRs Smart Little Pep</b> - AQHA	The Silver Dude
Miss Salty	Miss Salty Speck

**Gator In The Sand** is good to break-away, heel, sort, cut cattle, or drive cattle on. He is respectful to work and he's all business.

**Jack M. Merrill.** I have day worked since I was a kid. I currently run a 4,000 acre ranch in Bosque County. I rope and ride broncs. I also train a few ranch horses.

**SIRE: Playin Safari** ...\$88,498, Abilene Western Open Derby Champion, El Cid 5/6-Year-Old Open Champion, 5th NCHA Open Classic/Challenge, 5th Bonanza 5/6-Year-Old Open & Abilene Spectacular Open Derbies, NCHA Open Futurity semi-finalist, top 10 Gold Coast 4-Year-Old Open Derby & Abilene Spectacular 5/6-Year-Old Open, Chisholm Trail 4-Year-Old Open Derby finalist, Denver National NCHA Open Champion, etc.

**DAM: JRs Smart Little Pep** ...She is by Smart Peppy Doc , \$124,489; finalist in the NCHA Open Super Stakes and Bonanza 4-Year-Old Open; NCHA Open Challenge Reserve Champion; Abilene Western Open Classic Co-Reserve Champion; Augusta Open Classic Reserve Champion; 4th NCHA Open Finals; The Non-Pro Open Co-Champion, etc.

# DOC PARR LIGHTNING

AQHA #4516694  
2004 DUN GELDING

	Doc O'Lena
Captain Lena	Joker's Royal
<b>Nu Lena</b> - AQHA	Nu Bar
Nu Liberty	Liberty Donna
	Zan Silver Parr
Zan Roan Parr	Revenuers Honey
<b>Zans Two Eyed Honey</b> - AQHA	Iron Clad Jack
Iron Clad Vicki	Hanks Joleta

**Doc Parr Lightning**, aka "Cloud", is a 6-year-old gelding straight from our remuda of saddle horses that shows tremendous athletic ability along with a gentle disposition that would fit almost anyone. Cloud can be ridden by a youngster (see the Video at our stall), but you can take him anywhere and do a days work. He is seasoned in roping, sorting, doctoring and easy to catch and haul anywhere you need to go.

**H & H Livestock** is owned by the Mike Hildebrand Family and managed by Lew Thompson. H & H Livestock is the horse division for South Texas Cattle Marketing, which covers six ranches and runs 4,000 mother cows and 3,000 replacement heifers.

The horse division maintains a broodmare band of 40 mares that were all once working cow horses themselves, and stands four stallions, Nu Lena, Zan Silver Pay, Gray Magnolia Jack and Ol Double Diamond.

H & H Livestock depends heavily on their string of using horses and has a reputation for raising and producing some of the best working horses in South Texas. Many of their geldings have found homes throughout the United States by people who have come to H & H Livestock in search of that special working horse. It is the place to find that real ranch gelding.

LOT **311**

PROPERTY OF **MIKE PIERCE**

# SEVENS GREY CLAY 501

AQHA #4836391  
2005 GRAY GELDING

Clay Grey	Blue Gold
<b>Mighty Clay Bar</b> - AQHA	Miss Blake Blanton
Mighty Miss Husker	Husker Red
Buddys Black Diamond	Mighty Miss Ann
<b>Bubblin Black Sally</b> - AQHA	Heza Buddy
Miss Jets Report	Bubblin Bay Lady
	Skips Report
	Buckeye Jet Miss

**Sevens Grey Clay 501**, aka "Pepper", is 15 hands and weighs 1300 pounds. He has been used in all phases of ranch work and any one can ride him. He has a quiet disposition and is willing to please. We have gathered and rotated pastures on him. We have used him in the pens as well as roped off him. He would make a great Versatility or Ranch horse competitor or a good using horse. He is kind and has a promising life ahead of him.

**Mike Pierce.** I come from a diversified horse and cattle farm in Tennessee. We raised commercial cattle and Quarter Horses. I have been raising horses on my own for the past 12 years. I raise and sell colts that are primarily purchased and used by cowboys who use good geldings. I worked at a stocker operation through college and am now at Desert Ranches in Florida. I have been here for the past year and have worked on several of the different units, from tagging calves, rotating cowherds, doctoring yearlings and marking and branding.

LOT **312**

PROPERTY OF **WEST FARMS**

# DUN COMMANDER CODY

AQHA #3571573  
1997 PALOMINO GELDING

Colonel Freckles	Jewel's Leo Bars
<b>Sgt Cody Freckles</b> - AQHA	Christy Jay
Candid Cody	Joe Cody
Dun Commander	Tiara Bar
<b>Ms Smoken On Command</b> - AQHA	Commander King
Gon Doc	Merry King
	Docs Sugs Brudder
	Gun Smoke's Kitty

**Dun Commander Cody**, aka "Cody", is a beautiful palomino gelding weighing 1300 pounds with excellent conformation. Cody has points and money won in AQHA Working Cow Horse and NRHA events. He will cut, fence and rope with the best of them. Cody is the perfect show horse or ranch horse for any level of rider. If you are looking for a horse that does it all, that is sound, sane and safe for the whole family, then look no further. Guaranteed 100% sound.

**West Farms** is located in Central Louisiana where we run a cow/calf operation and train cow horses. Along with the cow/calf operation quality ranch, penning and sorting horses are kept on hand to provide to the public at all times.

**SIRE: Sgt Cody Freckles ...** He is sired by Colonel Freckles, NCHA Open Futurity Champion, sire of the earners of over \$4,402,000, including Colonel Lil \$244,145 NCHA Open Futurity Champion; 4th, NCHA Open Super Stakes.

**DAM: Ms Smoken On Command ...**She is sired by Dun Commander, AQHA Superior Western Pleasure, ROM in 7 Events, NCHA money earner. He is the sire of Commanding Luv, \$22,964, 1984 East Texas Maturity Champion; Dun My Time, \$72,907, 1992 Southern Cutting Derby Reserve Champion and Non-Pro Champion; and many more.

LOT  
**313**

PROPERTY OF **CHRIS LAWRENCE**

## WOODYS GOT A GUN

AQHA #4745721  
2005 BAY GELDING

Zack T Wood	Doc Tari
<b>Nitas Wood</b> - AQHA	Lintons Lady Doc
Nitas Quixote	Doc Quixote
	Chickasha Anita
Playgun	Freckles Playboy
<b>Happy Guns</b> - AQHA	Miss Silver Pistol
Shorty Lady Lena	Shorty Lena
	Lady Bar Glo

**Woodys Got A Gun**, aka "Gun", is a nice cutting horse with \$1,900.00 in NCHA earnings with limited showing. He has a big stop and bright look on a cow. Gun has a great disposition. He hauls good and is easy to shoe. Gentle and 100% sound.

**Lawrence Cattle Company.** B.C. Lawrence started his cattle and horse operation in Baylor and Knox Counties in the late 1930's. Lawrence Cattle Co. is headquartered just south of Seymour, Texas on the banks of the Brazos River. Running 600 cows and turning out approximately 7,500 yearlings in Texas, New Mexico, Kansas and Oklahoma. We are also involved in the cutting horse business.

**SIRE: Nitas Wood ...**\$13,975: 3rd, Abilene Spectacular Non-Pro Classic; sire of the earners of nearly \$1,700,000, including WOODY BE TUFF (\$351,063: NCHA Silver Award; 2007 Augusta & Cotton Stakes Open Classics' Champion; 2007 South Point Winter Non-Pro Classic Champion; 2007 NCHA Open Top Ten); and Many others.

**DAM: Happy Guns ...** She is by Playgun, \$183,538, World Show Junior Cutting (3rd), ROM Cutting, NCHA COA, High Point Jr Cutting Horse, 24 Performance points, El Cid Classic Open Champion, Steamboat Springs Classic Open Reserve Champion, Augusta Futurity Champion.

LOT  
**314**

PROPERTY OF **FRED BRAY RANCH**

## JUSTA CAMISETA

AQHA #3828487  
1999 SORREL GELDING

Peppy San Badger	Mr San Peppy
<b>Camiseta Badger</b> - AQHA	Sugar Badger
Camiseta	Otoe Chico
	La Camisa
Justa Parr Express	Zan Parr Express
<b>Reina De Express</b> - AQHA	Just A Flirt
Reina Guard	On Guard
	Riata Del Rancho

**Justa Camiseta**, aka "Junior", is one of the nicest geldings that we have ever owned. He is an absolutely beautiful horse with white on all four feet and a blazed face. We have owned him for almost 3 years and he has never offered to buck even if you keep him stalled for lengthy periods. Junior will ride the best, has an extremely smooth way of traveling, will really be broke in the bridle, has great fence work, can spin a hole in the ground and will cut a cow good enough to take to the cutting. In addition he can do the smoothest lead changes you will ever see and can lay down a very impressive sliding stop. We have used him to gather cattle in the pasture and sort in the pens, work gates and everything else required of him. This has been my wife Julie's personal horse and she has shown him in the Stock Horse of Texas and The American Stock Association winning first place in reining at the world show in 2008. She has shown him many times and done very good most every time. She has also ridden him on large organized trail rides and has ridden him in the mountains, through creeks, the woods, etc. This is truly a superb horse that you will be proud to own and he will make you look good riding him. If you are looking for a pretty horse that is trained the absolute very best and one that you can show in many different events, then here he is.

LOT  
**315**

PROPERTY OF **MARTY MCCORMICK**

## WINNIN RIDE

APHA #583956  
2000 BAY TOBIANO GELDING

Impressiver Dude	Emphasis
<b>Panhandel Rider</b> - APHA	Impressiver Queen
Cates Angel Two	Cates Saint
	Miss Skippa Bar
The Rio Floor	Win Or Lose
<b>Win A Buck</b> - APHA	Venture's Duchess
Hank's Easy Loving	Siemon Hank
	Jude's Nit Fly

**Winnin Ride** is a big and stout 15.2 hand gelding that is just at home dragging a bull to the trailer as he is turning a steer in the arena. He won 8<sup>th</sup> place in the 2009 APHA World Show Amateur Heading and was also used as a turn back horse in the 2009 NCHA Futurity. He is gentle enough for the entire family to use on the weekend. 100% sound.

**Marty McCormick** operates a training facility near Weatherford, Texas, where he concentrates on producing true, top of the line working horses for the public. Marty's horses are known for being started the correct way, learning the basics first before advancing on to the more demanding disciplines. Good working horses can always be found available at Marty's place and he always strives to fit the horse to the person. Marty has been successful at starting a lot of young horses that have gone on to excel in NCHA, AQHA, APHA, NRHA and NRCHA competition. Marty spends long hours with his horses and brings them along slowly so that their training stays with them for their entire lifetime. When you drive up to Marty's place you can almost always find him teaching what he believes will be the next Champion to leave his barn and go bigger places.

LOT  
**316**

PROPERTY OF **KARY MCNEILL**

## HIGH SEJAS SENOR

AQHA #4886222  
2006 GRAY GELDING

Smart Lil Highbrow	High Brow Hickory
<b>Smart Lil Gentleman</b> - AQHA	Smart Little Kitty
Freckles Flashy Lady	Freckles Gentlemen
	Go Flash Lady
Skip Bar Dun	Bar Temis
<b>Skip Barby Request</b> - AQHA	Marciana
Kandy's Request	Buster's Request
	Li'l Kandy Kiss

**High Sejas Senor** is sired by our stallion, Smart Lil Gentleman. He has been in working cow horse training for one year. He is very gentle and is good for kids or anyone to ride that knows how to ride. We have roped on him, both head and heels, for six months. He is very cowy, has a great stop and a very smooth way of traveling. We have used him outside on the ranch and he has had lots of miles put on him for a four-year-old. I guarantee him to be sound, quiet and gentle. He is a great horse for all-around ranch work.

**SIRE: Smart Lil Gentleman ...** He is sired by Smart Lil Highbrow; \$99,099, NCHA Open Super Stakes (4th), NCHA Open Derby (split 7th), NCHA Open Classic (3rd), Chisholm Trail Open Classic Co-Reserve Champion, 8 AQHA points. Sire of Smart Lil Highjinks, \$63,537, Bluebonnet 5/6-Year-Old Open Stakes Champion; Smart Lil Ginney, \$59,722, 3rd NCHA Non-Pro Classic/Challenge, top 10, Abilene Spectacular 5/6-Year-Old Non-Pro finalist in the NCHA Non-Pro Classic/Challenge; Highbrow Holly, \$19,041, Montana Open Maturity Champion; Highbrow Hobo, \$12,294, semi-finalist in the NCHA Non-Pro Super Stakes; Stylish Lil Highbrow, \$20,958, finalist in the Augusta 4-Year-Old Non-Pro Futurity; and others.

LOT **317**

PROPERTY OF **SHAWN HOLDEN**

## RED RIVER ROOSTER

AQHA #4734068  
2004 SORREL GELDING

Peppy San Badger	Mr San Peppy
<b>Gallo Del Cielo</b> - AQHA	Sugar Badger
Doc's Starlight	Doc Bar
Doc's Solano	Tasa Tivio
<b>Miss Bonded Solano</b> - AQHA	Doc Bar
Miss Jamie Bond	Susie's Bay
	War Bond Leo
	Abby James

**Red River Rooster**, aka "Red", is a real good ranch horse and a good show horse also. He is good for all riders. He has a hard stop, a lot of turn and plenty of cow.

**SIRE: Gallo Del Cielo** ...\$28,437, finalist in the NCHA Open Derby, Chisholm Trail Open Derby and Abilene Western Open Derby. Brother to Grays Starlight. Sire of Ricochet Rooster, \$148,290, NRHA Open Futurity Reserve Champion, split 3rd 2002 NRHA Open Derby; Roosters Wrangler, \$125,869, NRHA Open Futurity Reserve Champion, NRBC Open Reserve Champion; and many others. A son of Peppy San Badger.

**DAM: Miss Bonded Solano** ...She is by Doc's Solano, AQHA Champion, earning 18 Halter, 9 Cutting, 5 Reining, 34 Western Pleasure points, Congress and Quarterama Cutting Champion; NRHA Million Dollar Sire; and sire of the earners of over \$3,800,000, including Big Red Solano, \$224,205, NCHA Gold Award, Gold & Silver 5/6 Year-Old Open Cutting Champion; War Lano Missy, \$204,652, Bonanza 4-Year-Old Non-Pro Reserve Champion; Joker Solano, \$30,400, NRHA Limited Open World Champion, an NRHA Leading Sire; Babe Solano, NCHA Non-Pro World Champion; etc.

LOT **318**

PROPERTY OF **JOSH & AMY KING**

## AUSSIE CHOCOLATIER

AQHA #4521369  
2004 BLACK GELDING

CJ Sugar	Son O Sugar
<b>CJ Sugar Lena</b> - AQHA	Christy Jay
Little Sugar Lena	Peppy San Badger
Acres Destiny	Lenas Sugar Bar
<b>Little Aussie Acre</b> - AQHA	Bob Acre Doc
Spindle	San Jose Hickory
	Docs Spinifex
	Freckles Lass

**Aussie Chocolatier**, aka "Black Jack", was originally trained for cutting competition. When he was a four-year-old, he was the Abilene Spectacular Incentive Champion and has earnings of \$10,000.00. He is a very attractive horse with versatile abilities. This horse has ranched, gathered cattle, drug calves to the branding fire, roped yearlings and has had foundation show jumping training.

**Joshua & Amy King**, along with their 2 daughters Hannah (6) and Haylee (4) live South of Cisco on their horse training/cow calf operation. Josh is the head cutting horse trainer of Silverbrook Ranches in Baird, TX, owned by Ms. Helen Groves. Josh has held that position for the last 12 years. Together, they have raised or ridden many great NCHA money earning horses, such as CJ Sugarlena \$180,000+ and Thorn Doc Whiskey \$120,000+. Their private operation known as 'Josh King Cutting Horses', which trains for the public, raises commercial angus and cutting prospects, which are out of performing cutting mares that had the talent to make the grade.

LOT **319**

PROPERTY OF **COWBOY COLLECTION QUARTER HORSES**

**TAZ N WOOD**

AQHA #4271496  
2002 BAY GELDING

PROVEN WINNER! "Handy" is not a prospect, or just showing potential, he is going now and ready to go! He was selected as the Champion of the 2010 AQHA Versatility Ranch Horse class at the Fort Worth Stock Show. He has his COA in NCHA with \$1,736.43 in earnings, is a RHAA money earner, winning the Cowboy Class and Reserve Championship overall at WRAA Finals in Amarillo in November of 2009. He was third at the Tri-State Fair AQHA Versatility Show in 2009, his first time shown. By sale time he will have been shown in AQHA Versatility at the San Antonio Livestock Show and Rodeo. He is honest, willing, and dependable. Like a "pocket on a shirt" he really is "Handy"! Stop by his stall, watch the video, and enjoy COWBOY COLLECTION hospitality in San Antonio!

**COWBOY COLLECTION QUARTER HORSES** is jointly owned by Todd Richardson and Dana Boone, along with their daughter, McKenzie. Located in Gainesville, TX, Todd and Dana have been in the horse business many years and have established a clientele of satisfied customers. Their specialty is training and marketing quality geldings that are familiar with roping, cutting, working cowhorse and trail. They also have mares and stallion prospects for your consideration. Emphasis is on horses that are "pretty to look at and nice to ride."

- Doc Tari
- Zack T Wood - AQHA**
- Lintons Lady Doc
- Freckles Playboy
- Tasmanian Playgirl - AQHA**
- Tasmanian Tari
- Doc Bar
- Puro's Linda
- Mr Linton
- Jim Bar Yucca
- Jewel's Leo Bars
- Gay Jay
- Pure Tari
- Ima Peppy Dodger

LOT **320**

PROPERTY OF **LONE TREE RANCH**

**NU TRASH**

AQHA #4649154  
2005 SORREL GELDING

**Nu Trash**, aka "Trash", is the perfect picture of an athlete. He has been ridden and worked, on the ranch doing cattle work, by both Klay and Doug. You can rope a yearling in the pasture and he will hold it when you step off. He is very intelligent and consistent. Marlene has started him on the barrels and he already can lope a perfect pattern. Trash is gentle, honest and will make a great horse to do anything you want to use him for. We invite you to Trash's stall to see the video of him at work and visit with Marlene, Doug or Klay about this exceptional gelding.

**The Lone Tree Ranch** main headquarters is in eastern Colorado and has been in business since 1973. The ranch also operates one of their horse divisions in Kerrville, Texas. The Lone Tree Ranch is a working cattle ranch that concentrates on excellence in equine development, specializing in well broke performance and barrel racing horses. Their horses are trained to do any job a person wants to use them for. In the past 30 plus years, Doug and Marlene McRae have won many awards riding great horses. Marlene is a past World Champion Barrel Racer, two time Olympic Gold Medalist and has qualified 10 times to the National Finals Rodeo. She rides, trains and teaches horsemanship and barrel racing every day, all over the world. Doug is a PRCA Circuit Champion Calf Roper and manages the Lone Tree Ranch.

- Nu Cash
- The Nu Colonel - AQHA**
- Malbeckin
- Mr Gun Smoke
- Miss Pixie Smoke - AQHA**
- Pixie Toi
- Colonel Freckles
- Nu Rendition
- Doc's Malbec
- Munchkin
- Rondo Leo
- Kansas Cindy
- Poco Pine
- Yuma Toi

LOT  
**321**

PROPERTY OF **BUTTON CRISWELL**

## PADRES ANGEL JOE

AQHA #3702824  
1998 DUN GELDING

Padre Pop	Doc Bar
<b>Padres Buddy</b> - AQHA	Papanita
Pistol's Peaches	Quincy's Pistol
	My Easter Rose
Prince Joe Jack	Two Eyed Jack
<b>Angel Joe Jack</b> - AQHA	Pay Day Duchess
Doubloon Angel	Colonel Doubloon
	Angel Hand

**Padres Angel Joe** comes right off of our yearling operation in the panhandle of Texas. We keep a good string of geldings that are used daily in this operation. We depend on them heavily. During the course of a year we may rope and doctor 2,000 to 3,000 head off of these horses. They are seasoned at gathering, sorting, doctoring, loading trucks and any other task that may present itself that must be performed horseback. Many of our geldings can rope and trip just about anything out in big pastures. We have even roped a few Pronghorn Antelope for fun in real deep snow off of some of our geldings. From time to time we market a few of our geldings to the public like we are doing here today. This is not because something is wrong with them. It is our way of making room for the two and three-year-olds that we have coming into the work force. If we keep all of the seasoned horses, then we have a way of not riding the two and three-year-olds to make good horses out of them. The gelding we have here today has seen and done everything you can possibly imagine in a ranch setting and yearling operation. He is a true ranch horse in every sense of the word.

LOT  
**322**

PROPERTY OF **RENEE CARTER**

## YELLOW BLANKIT

AQHA #4758092  
2005 PALOMINO GELDING

Dual Pep	Peppy San Badger
<b>Kit Dual</b> - AQHA	Miss Dual Doc
Pretty Little Kitty	Smart Little Lena
	Doc's Kitty
Doc Athena	Doc O'Lena
<b>Athena Abby</b> - AQHA	Athena James
Golden Ivory	Little Hollywood
	Squaw 3

**Yellow Blankit** is a pretty, quiet, easy horse to be around. Started on cattle as a two year old by Renee Carter. Has plenty of cow. Has been ridden by cowboys on the ranch to check and doctor cattle. Used in cattle pens to yard back cattle. He is the last colt out of pet mare Athena Abby that my father gave me. Abby produced nice colts, some cutters, ropers and ranchers.

**Renee Carter.** My husband, Ellison and I are in the cattle business in Santo, TX. We have an order buying operation as well as turning out pasture cattle. I train my cutting horses here and show in NCHA events. Ellison ropes steers and shows in Ranch Cutting Horse events.

**SIRE: Kit Dual** ...Earner of \$251,791. NCHA Open Super Stakes Reserve Champion; 3rd, NCHA Open Futurity; NCHA Super Stakes Open Classic/Challenge Reserve Champion; Steamboat Springs Open Derby Champion; Memphis 4-Year-Old Open Futurity Co-Reserve Champion. A 2008 Equi-Stat Top 25 Leading Cutting Sire, and an All-Time Leading Cutting Sire, siring earners of \$2,300,000, including DUALS PLAY KIT (\$261,223; 4th, NCHA Open Classic/Challenge, 5th in the Non-Pro, and Limited NP Champion; Brazos Bash NP Classic Champion).

## BIG TIME QUAIL

AQHA #4746212  
2005 SORREL GELDING

**Big Time Quail** (a.k.a. Bussy) is a good representation of what is produced on the O'Brien Ranch. This stocky sorrel gelding began his working ranch life as a two-year-old gathering pastures and working cattle. Since then, he has been trained as a heeling horse. Along with his rope horse training, Bussy has been in Versatility Ranch Horse training with James O'Brien for the past six months. He is the pick of the barn when visitors come to see our horses. He is the horse we can put anyone on, no matter their riding skill level. This smooth trotting gelding is sweet, ready to please and always alert.

**The O'Brien Ranch** of Beeville, Texas, was founded in 1856 as a cow/calf operation and continues as such today. Cattle are run on 90% of the ranch on open country. Cattle are gathered and worked horseback each week. Good horses are an important asset to the daily operations of the O'Brien Ranch.

The Quarter Horse breeding program began in the 1940s and continues as a reputable breeding program today. The South Texas ranch is family owned and operated and considers raising good, usable horses their greatest achievement. The horses raised on the O'Brien Ranch are known for their athletic ability and natural cow sense.

Mr Quail Run	Mr Tiny Quail
<b>Quails Dun Berry</b> - AQHA	Shiny Doll
Scots Miss Berry	Scoot's Bar
	My First Filly
Charger Quail	Mr Quail Run
<b>Gay Big Time Quail</b> - AQHA	Tiny Maria Charge
Gay Silver Roan	Quincy Gay Bar
	My Silver Slipper

## IMA DUALIN LENA

AQHA #4402522  
2003 BAY GELDING

**Ima Dualin Lena**, aka "Peppy", is a nice seven-year-old gelding that could go any direction a person wanted to go with him. Peppy is a trained cutter and has been shown in the Ranch Versatility Shows. He has also been used outside gathering cattle and trail ridden in the Colorado Mountains. He has an awesome personality and great disposition. No Buck!

**SIRE: Dual Pep ...** \$313,192: NCHA Open Classic Champion. An Equi-Stat All-Time Leading Cutting Sire and an NRCHA All-Time Leading Sire, siring the earners of over \$21,000,000, including DUAL REY ME (\$646,803: 2007 NCHA Open World Champion; NCHA Super Stakes Open Classic Champion; 2007 AQHA World Champion); DUALY LENA (\$394,988: NCHA Super Stakes Non-Pro Gelding Stakes Champion; NCHA Open Futurity Reserve Champion); and many others.

**DAM: Smart Fancy Lena ...** She is by Smart Little Lena, \$743,275, NCHA Triple Crown Champion, and sire of the earners of over \$37,400,000, including Red White And Boon, \$930,954, NCHA Open Derby Reserve Champion, 5-time NCHA Non-Pro World Champion, AQHA Amateur World Champion; Smart Peppy Lena (APHA), \$495,600, NCHA Non-Pro Co-Reserve World Champion; and others.

Peppy San Badger	Mr San Peppy
<b>Dual Pep</b> - AQHA	Sugar Badger
Miss Dual Doc	Doc's Remedy
	Miss Brooks Bar
Smart Little Lena	Doc O'Lena
<b>Smart Fancy Lena</b> - AQHA	Smart Peppy
Docs Fancy Peppy	Peponita
	Doc's Fancy Pants

LOT  
**325**

PROPERTY OF **DEAN CAMPBELL**

## DONT JO

AQHA #4433611  
2003 DUN GELDING

Dont Doc Me	Doc's Remedy
<b>Dont Doc</b> - AQHA	Poco Willa
Martis Hickory Chex	Doc's Hickory
Mr Basic Black	Miss Smokin Chex
<b>Ms King Glo 104</b> - AQHA	Checkmate King Glo
Hy Ace Lebar	Blue Gracie
	Pine Delrio Hygro
	Ace Lebar

**Don't Jo**, aka "Jo Jo", is a nice, big, stout, colored gelding. He has been hauled two years plus as a flag horse at team ropings, indoors and out, across the country. Jo Jo has been used outside on the ranch to gather and sort. He is gentle enough for anyone in the family to ride. He has been in training with Rick Rosachi as a heading horse for the last eight months. He has also been used at local jack-pots.

**Dean Campbell** has grown up in a ranching family cow/calf as well as stocker operations. Dean has been an avid team roper since the late 1980's. He has ridden and sold many head horses. He has been a professional flagger of team ropings for the last five years for numerous producers across the United States.

**SIRE: Dont Doc ...** A grandson of Doc's Remedy, \$47,453, split 4th NCHA Open Futurity, NCHA Open Top Ten, NCHA Bronze & Silver Awards, and sire of the earners of \$1,349,414 including Master Remedy, \$176,946, split 5th NCHA Open Futurity, split 4th NCHA Open Classic, NCHA Silver Award; Reminic, \$92,649, 5th NCHA Open Futurity, NCHA Silver Award; Chex Out This Remedy, \$80,031, NRCHA Open Futurity Reserve Champion.

LOT  
**326**

PROPERTY OF **T RICHARDSON**

## IMA SPORTIN SUGAR

AQHA #4617682  
2004 BAY GELDING

High Brow Hickory	Doc's Hickory
<b>Sportin High Brow</b> - AQHA	Grulla San
Sportin Playgirl	Freckles Playboy
Travalena	Sport Model Snippy
<b>Sugars Travelin Gal</b> - AQHA	Doc O'Lena
Sugar Tari Rio	Bar Socks Babe
	Son O Sugar
	Tari Mia

**Ima Sportin Sugar**, aka "Gus", has done all phases of ranch work and is smooth at it. He is a money winner in the RHAA and qualified for the 2009 Finals at Abilene, Texas. This horse is a real showy individual.

**SIRE: Sportin High Brow ...** He is by High Brow Hickory; \$229,771: NCHA Open Futurity Co-Reserve Champion; NCHA Open Breeders Reserve Champion; sire of the earners of \$4,800,000, including SMART LOOKIN HI BROW (\$216,394: Polo Ranch and Memphis Open Classics' Champion; 4th, NCHA Super Stakes Open Classic/Challenge); HIGH BROWS NURSE (\$141,950: NCHA Open Super Stakes Reserve Champion; NCHA Non-Pro Futurity Reserve Champion); HICKORY LENA STAR (\$133,816: split 8th, NCHA Open Classic/Challenge); MR SMOKE HICKORY (\$120,214: NCHA Eastern Nationals Open Reserve Champion); and others.

**DAM: Sugars Travelin Gal ...** She is by Travalena; \$105,605: NCHA Super Stakes Open Classic Reserve Champion. An Equi-Stat All-Time Leading Cutting Sire, siring earners of \$4,200,000, including TRS TRAVELIN BADGER (\$210,349: NCHA Amateur Derby Champion; split 3rd, Augusta 4-Year-Old Open Futurity), HIGH STYLE TRAVALIN (\$205,079); and many others.

LOT  
**327**

PROPERTY OF **TONY HALL**

## HIGHBROWS JOKER

AQHA #4669448  
2005 SORREL GELDING

Smart Lil Highbrow	High Brow Hickory
<b>Highbrows Mis N Lynx</b> - AQHA	Smart Little Kitty
Miss Dry Teardrop	Damon Lynx
	Miss Dry Bar 12
Zans Diamond Joker	Zans Diamond Sun
<b>Jokers Jolly Lady</b> - AQHA	Seven S Mariah
Copy's Last Lady	King's Copy
	Jollys Shot Baret

**Highbrows Joker**, aka "Joker", has been used all over the ranch, from doctoring yearlings to dragging calves to the fire. He has also been headed on. He has lots of action. He is pleasant to be around and 100% sound.

**SIRE: Highbrows Mis N Lynx** ...He is sired by Smart Lil Highbrow (AQHA) ... \$99,099, NCHA Open Super Stakes (4th), NCHA Open Derby (split 7th), NCHA Open Classic (3rd), Chisholm Trail Open Classic Co-Reserve Champion, 8 AQHA points. Sire of Smart Lil Highjinks, \$63,537, Bluebonnet 5/6-Year-Old Open Stakes Champion; Smart Lil Ginney, \$59,722, 3rd NCHA Non-Pro Classic/Challenge, top 10, Abilene Spectacular 5/6-Year-Old Non-Pro finalist in the NCHA Non-Pro Classic/Challenge; Highbrow Holly, \$19,041, Montana Open Maturity Champion; Highbrow Hobo, \$12,294, semi-finalist in the NCHA Non-Pro Super Stakes; Stylish Lil Highbrow, \$20,958, finalist in the Augusta 4-Year-Old Non-Pro Futurity and Bonanza 4-Year-Old Non-Pro Derby; Smart Lil Tenisha, \$7,849; etc. Brother to High Brow Cat.

**DAM: Jokers Jolly Lady** ...She is sired by Zans Diamond Joker, 546 points, High Point All-Around Stallion.

LOT  
**328**

PROPERTY OF **CLAY & JODIE CERNY**

## MH IM ALL CLASS

AQHA #4371831  
2003 SORREL GELDING

Freckles Playboy	Jewel's Leo Bars
<b>San Tule Freckles</b> - AQHA	Gay Jay
San Tule Lu	Peppy San Badger
	Doc's Tule Lu
Doc's Oak	Doc Bar
<b>Cassies Oak</b> - AQHA	Susie's Bay
Nance B Chex	Bueno Chex
	Tootsie Baby

**MH Im All Class** was raised by Western States Ranches and started on cattle in the cutting pen. Clay and Jodie Cerny purchased the horse in his three year old year and worked cattle and various ranch work on him for two years. He has been in training for tie-down roping. He is not National Finals Rodeo caliber and hence the reason for the sale. He has been used at ranch rodeo events. He has a great disposition and has never bucked, kicked or given us any indication that he would be a threat to children.

**Clay and Jodie Cerny** grew up in the cattle/horse industry. Clay Cerny spent his childhood working at raising cattle. He then became a professional Tie-Down roper and qualified for the Wrangler National Finals in 1999 and 2000. He has since primarily focused on training calf horses. Several of the horses he has trained have been ridden at the Wrangler National Finals Rodeo. Jodie Boone Cerny grew up riding cutting horses. Jodie is a member of the National Cutting Horse Association's Non-Pro Rider's Hall of Fame. Both strongly believe the miles a horse has spent outside the confines of an arena contribute to a horse's success within the arena.

**SIRE: San Tule Freckles** ...NCHA Open Fut. Champion.

LOT **329**

PROPERTY OF **TONY SANDERS**

## SEA MATE

AQHA #4446171  
2003 SORREL GELDING

Smart Little Lena	Doc O'Lena
<b>Smart Mate</b> - AQHA	Smart Peppy
Freckles Playmate	Freckles Playboy
	Nip Nap
Miss N Cash	Dash For Cash
<b>Sakonnet Point</b> - AQHA	Doc N Missy
Lucky Bottom Belle	Lucky Star Mac
	Miss Glimpse

**Sea Mate** is an all-around gelding that will cut a cow nice and has an excellent handle. He is also ready to haul in heading or healing. He is gentle, sound and full of cow sense. We bought Sea Mate at the San Antonio Ranch Gelding Sale several years ago from Clifton Brandon. Since then we have won two ranch horse competitions on him. The only reason we are selling him is we have cut back our cattle and horse operation and do not have a need for him any longer. And, he is too good of a gelding to go to waste. We would like to see him get a good home with someone who will enjoy him as much as we have.

**SIRE: Smart Mate** ...Earner of \$51,350: NCHA Bronze Award; Southern 5/6-Year-Old Open Champion; finalist in the NCHA Open Classic; split 3rd, Abilene Western Open Classic; Denver Nationals NCHA Open Reserve Champion; State of Missouri Open Classic Reserve Champion, sire of the earners of over \$4,000,000.

**DAM: Sakonnet Point** ... She is sired by Miss N Cash, \$124,662, NCHA Open Derby Champion, Reno Celebrity Open Derby Champion, Tropicana Open Futurity Co-Reserve Champion, NCHA Open Futurity Top Ten finalist, and Memphis Open Classic, split 4th,.

LOT **330**

PROPERTY OF **ANDREW & CARTER BELL**

## SMART LITTLE JAZAREY

AQHA #4619874  
2003 RED ROAN GELDING

Smart Little Lena	Doc O'Lena
<b>El Royal Rey</b> - AQHA	Smart Peppy
Jazabell Quixote	Doc Quixote
	Bill's Jazabell
King Fritz Two	King Fritz
<b>Porcelain Lace</b> - AQHA	Reign's Request
Just A Sin Away	Mr Bar Tab
	Opie Della

**Smart Little Jazarey** is a really broke gelding, gentle for anyone to ride. We have tied some calves down and heeled on him in the arena. He has been used to doctor calves outside. He is ridden by a 14 year old boy that will show him in the competition at the sale.

**SIRE: El Royal Rey** ...He is sired by Smart Little Lena, \$743,275, NCHA Triple Crown; sire of the earners of over \$37,400,000, including Red White And Boon, \$930,954, NCHA Open Derby Reserve Champion, 5-time NCHA Non-Pro World Champion, AQHA Amateur World Champion; Smart Peppy Lena (APHA), \$495,600, NCHA Non-Pro Co-Reserve World Champion; Justa Smart Peanut, \$421,041, NCHA Horse of the Year, NCHA Open Futurity Reserve Champion and Open Super Stakes Reserve Champion; Smart Play, \$413,720, Reserve Champion of the NCHA Open Futurity, NCHA Open Super Stakes and NCHA Non-Pro Finals; Smart Little Senor, \$362,645, All-Time High Scorer at the NCHA Finals; Smart Chic Olena, \$129,744, cutting/reining: World Champion Reining & Cutting Horse; Commandicate, \$300,112, NCHA Open Futurity Reserve Champion; and many others.

**DAM: Porcelain Lace** ... She is a granddaughter of the great King Fritz, one of the all time great sires of reined cow horse champions.

LOT **331**

PROPERTY OF **FRED BRAY RANCH**

## RAZMATAZLENA

AQHA #4344566  
2002 SORREL GELDING

Smart Little Lena	Doc O'Lena
<b>Lenas Wright On</b> - AQHA	Smart Peppy
Slide Me Again	Isle Breeze
	Starlet Showdown
Badger Starlight	Peppy San Badger
<b>Brinks Starlight</b> - AQHA	Doc's Starlight
Brinks Rosalee	Brinks Royal Lee
	Miss Shelly

**Razmatazlena**, aka "Raz", is sure enough a nice gelding that was trained and shown in the snaffle bit futurity when he was a three year old. This nice gelding can do whatever you want to do horse back; outstanding spins, great fence work, nice sliding stops, broke well in the bridle, slow lope, smooth way of traveling, good on a cow and is an excellent horse in the pasture and has also been in the woods. This is a nice gelding that is the same way every day that you put on the saddle. I acquired this nice gelding from my late friend Buddy Williams that recently lost his life to cancer.

**SIRE: Lenas Wright On ...** LENAS WRIGHT ON. \$105,846: NRHA Open Futurity Champion; AQHA World Champion Junior Working Cow Horse; AQHA Reserve World Champion Junior Reining; AQHA High Point Junior Reining Horse; AQHA ROM, 61 points. A 2007 NRHA and NRCHA All-Time Leading Sire, siring the earners of 1,825 AQHA points.

**DAM: Brinks Starlight ...**She is sired by Badger Starlight, Sire of AQHA point earners and ROMs plus offspring with NCHA, NRHA and NRCHA earnings. Badger starlight is full brother to GRAYS STARLIGHT, ranked by Equi-Stat in 2005 in the top 10 for Top Maternal Reined Cow Horse Grandsires.

LOT **332**

PROPERTY OF **TONY PALERMO**

## SLY DOCS

AQHA #3792680  
1998 RED ROAN GELDING

Doc's Hickory	Doc Bar
<b>Docs San Cudo</b> - AQHA	Miss Chickasha
Polished	Mr San Peppy
	Sweet Mama
Chickanita Quixote	Doc Quixote
<b>Crimson Quixote</b> - AQHA	Chickasha Anita
Thorn Bird	Dee Bar Bob
	Two Dollar Bar

**Sly Docs**, aka "Doc", is a very exceptional horse in every field. He is trained for western pleasure, trail, roping and is a \$3,000.00 money earner in cutting. He is ready to go show or take to your ranch program. He is safe for the whole family and 100% sound. Don't miss this wonderful gelding.

**SIRE: Docs San Cudo ...** He is sired by Doc's Hickory ... AQHA High Point Cutting Stallion, NCHA Futurity Semifinalist. Equistat #5 All-Time Leading Cutting Sire, an NRHA All-Time Leading Sire, siring the earners of over \$21,000,000, including Eatin Out, \$186,623; Miss Silver Pistol, \$512,755, NCHA Non-Pro Futurity Champion; Hicapoo, \$447,812, NCHA Horse of the Year, NCHA Non-Pro World Champion, NCHA Super Stakes Open Classic Champion and 1996 Reserve Champion, NCHA Open Derby Champion, NCHA Open Super Stakes Reserve Champion; and many others.

**DAM: Crimson Quixote ...**A granddaughter of Doc Quixote, NCHA Non-Pro Futurity Champion. An Equistat All-Time Leading Cutting Sire, siring the earners of over \$10,000.00, Leading Cutting Sire in 1996, siring Poco Quixote Rio, \$1,107,027, Gold and Silver 4-Year-Old Open Champion; Docs Okie Quixote, \$637,707, NCHA Triple Crown winner; and many others.

# LITTLE HAIDA GUN

AQHA #4923932  
2005 SORREL GELDING

Playgun	Freckles Playboy
<b>Little Gunolena</b> - AQHA	Miss Silver Pistol
Panolas Little Lena	Smart Little Lena
	Panola Star
Haidas Little Pep	Peppy San Badger
<b>Haidas Sweet Acre</b> - AQHA	Doc's Haida
Little Sweet Acre	Bob Acre Doc
	Brinks Hickory Pat

**Little Haida Gun** is a good conformation gelding that rides gentle. You can cut on him, rope on him and he has a good stop. He stands about 14.1 to 14.2 and looks the part of a calf roping horse.

**SIRE: Little Gunolena** ...He is by Playgun; \$183,538, World Show Junior Cutting (3rd), ROM Cutting, NCHA COA, High Point Jr Cutting Horse, 24 Performance points, El Cid Classic Open Champion, Steamboat Springs Classic Open Reserve Champion, Augusta Futurity Champion Open & Non-Pro. Out of Miss Silver Pistol, \$512,755 NCHA earnings. The 2007 NRCHA #6 Leading Sire; 2007 Equi-Stat #11 Leading Cutting Sire, siring earners of \$5,600,000, including MR BEAMON (\$304,887: NCHA Open Futurity Reserve Champion; NCHA Super Stakes Open Classic Champion).

**DAM: Haidas Sweet Acre** ...She is by Haidas Little Pep, NCHA earnings of \$425,174, NCHA Bronze, Silver, Gold and Platinum Awards, NCHA Open Futurity Reserve Champion, NCHA Finals Open Co-Champion, NCHA Open Challenge Reserve Champion, TQHA National Stakes 4-Year-Old Open Maturity 6th. Sire of the earners of over \$9,200,000. A 2006 Equi-Stat Leading Cutting Maternal Grandsire.

# GP FIDDLIN SCRIPT

AQHA #4567316  
2004 PALOMINO GELDING

Zan Gold Jack	Zan Parr Bar
<b>Justa Fiddle Man</b> - AQHA	Miss Goldie Jack
Dees Queen	Defendent
	Hancock's Starlet
Monte Prescription	Doc's Prescription
<b>Buckwheat Baby Doll</b> - AQHA	Montecello
Sport Model McCue	Sport Model Romeo
	Miss Monte McCue

**GP Fiddlin Script**, aka "Pacer", is a nice young horse that is very broke and ready to find a job. He has been started on cattle and has potential to make a very nice head or heel horse. He has also been started on barrels, he's the kind of horse that husbands can go rope on Friday's and wives run on Saturdays! Pacer is a lot of fun to ride and a great horse to be around.

**Casey Pearson.** My family has been involved in ranching and raising horses for more than 70 years. I have trained and shown horses that have competed and won at AQHA shows as well as rodeos. I qualified two times to the CNFR while earning a degree from Sam Houston State University. Since graduating from college, I have qualified for the California PRCA Circuit Finals in calf roping, and most recently I qualified for the 2009 PRCA Prairie Circuit Steer Roping Finals. I have always had a great deal of pride in the horses I've trained and in the success others have had on horses I trained.

**SIRE: Justa Fiddle Man** ... A grandson of Zan Parr Bar, A Leading sire of World Champion Performance horses and a leading sire of ROM qualifiers, performance winners and point earning performance horses in halter, working cow horse, heading, heeling, calf roping, etc.

# PLAUDITS RETURN

AQHA #3277757  
1994 GRAY GELDING

	Jet Smooth
Smooth At Heart	Ole Heart's Gal
<b>Hes Smooth And Blue</b> - AQHA	Two Rocks
Blue Two Rocks	Bego Blue Lady
	Buck Ray
Buck's Bid	Lone Star Garcia
<b>Bucks Jet Bar</b> - AQHA	Pacific Jet
Pacific Bonnie	Miss Bonnie Bars

**Plaudits Return** is a finished heading horse and a finished healing horse. He has had some barrel racing experience. He is great with children and new riders. He shoes, clips, loads, and trailers easily. Has a good nature about him. He gets along well with donkeys, goats, and dogs. Wonderful disposition.

**Scott Norman** has been riding horses nearly all of his 50 years, thirty years of which involved a rodeo background. Scott has been team roping for a little over 18 years now, both heading and healing, and has won several buckles, pay checks and a saddle. Currently, Scott lives in Corrales, New Mexico, where he has a small alfalfa farm, raises coriente roping cattle, and has five horses, and a donkey. Scott has worked with several horses from young ages and developed them into finished roping horses.

**SIRE: Hes Smooth And Blue ...** R. A. Brown Ranch breeding at its finest, being sired by Smooth At Heart, a R. A. Brown Ranch stallion by the great Jet Smooth; and out of a daughter of the great Two Rocks. A performance plus pedigree.

**DAM: Bucks Jet Bar ...**A foundation bred mare.

# MR JACK THREE

AQHA #3808491  
1999 SORREL GELDING

	Jackie Bee
Tee J Macho Jack	Sally Ann Jane
<b>Jack Nasty</b> - AQHA	Mac Nasty
Am Nasty	Amberpay
	Quicksil Command
Strait Silver	Bueno Chex Bonita
<b>Silver Day Gal</b> - AQHA	Shot O' Gin
Miss Cee Day Gin	Cee Day Freckles

**Mr Jack Three**, aka "Jack", is a big, stout ranch gelding. He is short coupled and able to get around like a small horse. He is 16.2 hands and weighs 1400 pounds and is an eye full. He was raised and used up until last year on the Pitchfork Ranch and was bred and raised by Pitchfork Land and Cattle Company. He is absolutely gentle and safe for anyone to ride. He has been there and done it all. Here is a super nice horse that you will like and appreciate when you get home. 100% sound.

**SIRE: Jack Nasty ...**He is a grandson of Jackie Bee, one of the most influential quarter horse sires. Sire of the earners of 3 World Champion, 6 High Point, 7 AQHA Champion, 4 Superior Western Pleasure, 1 Superior Calf Roping Horse, Superior Hunter Under Saddle, Superior Steer Roping, 11 Superior Halter, 49 Show ROM, including Te Jay O'Hara Miss, World Champion Three-Year-Old Mare, High Point Halter Horse, Superior Halter; Tee Jay Roman, AQHA Champion; etc.

**DAM: Silver Day Gal ...** She is by Strait Silver, sire of Miss Tivio Silver, multiple Top Ten World Show Jr Reining & Jr Working Cow Horse, .5 Halter, 89.5 Performance, \$21,320 NRHA; Strait Silver Gun, 12 Performance (ROM), 13 Amateur Performance (ROM); and many others.

## WP KING RING

AQHA #3817022  
1999 RED DUN GELDING

King Rina	King
<b>Mills King Ed</b> - AQHA	Rina
Mills King Millie	Royalty's King
	Melindas Cookie
Baca Times	Tough Times
<b>My Fancy Times</b> - AQHA	Baca's Blue Mist
Latigos Fancy	Latigos Luck
	Fancy Star

**WP King Ring**, aka "Bucket", is a 'big ole' teddy bear, he wants to please. He has been used as a snubbing horse, to start colts, and is exceptionally good at it. He has been hauled all over Texas to day work on all kinds of different terrain. He is one of the horses in my string I trust the most. He has been used to sort, gather, catch wild cattle, rope and doctor wheat cattle, and drag calves to the fire during branding. He has also been in the Red Stegall Ranch Rodeo. He is heavy boned and has good feet. He stands well for the farrier. At one time he did bow a tendon (front right) but it doesn't seem to bother him now. Vet told me to use him. He is ready to go to the arena, in any area of roping or barrels. Lots of action for a big guy and gentle. **Zachary Watson.** I have grown up around horses since I was a little boy. My dad always had me a good one to ride and learn on. I really enjoy working with young horses and still do today. I have been fortunate to work on some large ranches. The last 5 years I have been traveling all over the state working for ranches during the cow works. I have my string of horses and we go do the best we can. The thing that makes me most proud is that I have accepted Jesus Christ as my Lord and Savior and I give Him all the glory for everything good that has happened to me! And I look forward to an exciting new life walking and riding with Him!

## ROMANCING THE COW

AQHA #4439818  
2003 SORREL GELDING

Doc O'Lena	Doc Bar
<b>Smart Little Lena</b> - AQHA	Poco Lena
Smart Peppy	Peppy San
	Royal Smart
Peppy San Badger	Mr San Peppy
<b>Our Little Peppy</b> - AQHA	Sugar Badger
Our Little Lena	Hesa Doc O'Lena
	Our Little Queen

**Romancing The Cow**, aka "Romeo", will make your heart flutter this Valentine's Day! He is dynamic on a cow, NCHA winner of \$6,454.59 and can do it all. He will have been shown at AQHA Versatility at the Fort Worth Stock Show and San Antonio Livestock Show and Rodeo by sale time. He has the Smart Little Lena coon tail and roan flanks. He is attention-getting with his color and athletic ability. Very soft moving, he is a Cadillac ride with push-button control. This horse is the right age, the right kind and a proven performer! He is the Valentine's box of chocolates that you know what you are getting. Come by and see "Romeo", enjoy COWBOY COLLECTION hospitality and watch his video.

**COWBOY COLLECTION QUARTER HORSES** is jointly owned by Todd Richardson and Dana Boone, along with their daughter, McKenzie. Located in Gainesville, TX, Todd and Dana have been in the horse business many years and have established a clientele of satisfied customers. Their specialty is training and marketing quality geldings that are familiar with roping, cutting, working cowhorse and trail. They also have mares and stallion prospects for your consideration. Emphasis is on horses that are "pretty to look at and nice to ride". They have a small cow-calf operation and maintain fresh cattle to train and prepare their sale and competition horses throughout the year.

# SHAKE RATTLE N SHINE

AQHA #4339711  
2003 PALOMINO GELDING

Shining Spark	Genuine Doc
<b>Shine Of A Kind</b> - AQHA	Diamonds Sparkle
Sonitas Kindra	Sonita's Last
	Li'l Miss Jo Bar
Colonel Mickie	Colonel Freckles
<b>Miss Pueblo Sun</b> - AQHA	Mickie Bar Kay
Miss Cayann	Dun Commander
	Jay Blair

**Shake Rattle N Shine**, aka "Shake", is a dependable gelding. Any age person can ride him. He is an extremely nice show horse. Very good in reining and good to rope on. If you need a horse for the whole family take a look at Shake.

**SIRE: Shine Of A Kind ...** He is by Shining Spark, Shining Spark \$62,674: NRHA Open Derby Champion; AQHA World Champion. 2002 AQHA #1 Leading Performance Sire; 2001 NRHA #1 Leading Sire, NRCHA #2 Leading Sire; siring the earners of more than \$2,280,000 in NRHA, NRCHA, NCHA and other competition and AQHA earners of over 8,800 points, 14 AQHA World or Reserve World Champions, 139 ROM awards and 55 Superior Performance awards.

**DAM: Miss Pueblo Sun ...** She is a granddaughter of Colonel Freckles, NCHA Open Futurity Champion, sire of the earners of over \$4,402,000, including Colonel Lil \$244,145 NCHA Open Futurity Champion; 4th, NCHA Open Super Stakes; Cols Lil Pepper (\$187,384: NCHA Open Futurity Reserve Champion and winner of the Semi-Finals; NCHA Open Super Stakes Classic Champion); Colonel Flip (\$175,560: split 3rd, NCHA Open Futurity; Bonanza 5-Year-Old Open Champion); Glow A Freckle (\$134,040: PCCHA Open Futurity Reserve Champion). etc.

# SMOKEY BLU HAVEN

AQHA #4587874  
2004 BAY ROAN GELDING

Hum Bug Hancock	Heck No Hancock
<b>Hand Bug</b> - AQHA	Hum Bug Bar
Hancock Pollyanna	Duplicate Hancock
	Hancock Polly
Dusty's Blue Haven	Grey Star Haven
<b>Rafter L Bluebird</b> - AQHA	Dusty Blue Roan
Vans Hancockmisty	Hank Henry Van
	Hoot's Misty Leo

**Smokey Blu Haven** is any cowboy's honest work horse with the bonus of roan color. He's been used extensively on a feed lot and a cutting horse operation and so knows the drill of opening and closing gates, sorting cows in pens, roping sick cows in the pasture, dragging feed troughs, turning back at the cuttings and just being an all around horse with a willing attitude. This is a solid, hard knocking using horse in every sense of the word. He comes from an operation that knows a good horse, how to make a good horse, and an operation that has a reputation of producing good ones like this. He will be demonstrated by Dustin Mills.

**Dustin Mills** is the son of cutting horse trainer, Mark Mills. His accomplishments include several NCHA Youth Top Ten in the World standings, including World Champion and Reserve World Champion. In December, he placed 3<sup>rd</sup> in the Limited Non-Pro Finals of the 2009 NCHA Futurity on the first horse he broke and trained from start to finish. He is also an accomplished team roper and participates in Texas High School Rodeo.

LOT  
**341**

PROPERTY OF **WEST FARMS**

## BOON BLAZEN JAZ

AQHA #4903056  
2004 SORREL GELDING

Peptoboonsmal	Peppy San Badger
<b>Blue Bayou Boon</b> - AQHA	Royal Blue Boon
Max A Lena	Doc O Lena Boy
Jazzy Peppy Olena	Jet's Dreamboat
<b>Blazen Jazzy</b> - AQHA	Peppy San Badger
Alexandra Pep	Jazzy Starlena
	Alexander Pep
	Bonitas Lil Bar

**Boon Blazen Jaz**, aka "Boon", is a beautiful fancy gelding with all the looks and chrome one could ask for. Boon is a finished cutter (\$1,800.00 plus NCHA), penner, and sorter with lots of handle and works a rope nice. Boon is a stout compact horse with lots of speed and a huge stop making him a calf horse deluxe. Boon is dog gentle and suitable for the whole family. 100% Sound. Boon is double registered AQHA and APHA. He is a must to see. Don't miss this flashy gelding.

**West Farms** is located in Central Louisiana where we run a cow/calf operation and train cow horses. Along with the cow/calf operation quality ranch, penning and sorting horses are kept on hand to provide to the public at all times.

**SIRE: Blue Bayou Boon** ...\$95,941; 5th, NCHA Limited Non-Pro Super Stakes; split 5th, NCHA Super Stakes Limited Non-Pro Classic; split 3rd, Brazos Bash Open Classic; 3rd, Southern Open Classic; 6th, West Texas Open Classic; split 4th, "The Non-Pro" 4-Year-Old Non-Pro.

**DAM: Blazen Jazzy** ... She is a granddaughter of Peppy San Badger (AQHA), 1977 NCHA Futurity Champion, 1978 Derby Champion, 1980 NCHA Reserve World Champion.

LOT  
**342**

PROPERTY OF **SWENSON LAND & CATTLE CO**

## RS JACK

AQHA #4712363  
2005 SORREL GELDING

Watch Don Juan	Watch Joe Jack
<b>Watch Frosty Jack</b> - AQHA	Jauna Dust
Showsun Frost	Colonel Frost
Woods Colonel	Showsun
<b>RS Miss Freckles</b> - AQHA	Colonel Freckles
Freckles Roseanne	Ginnie Wood
	Freckles Smoke
	Quien Sabe 18

**RS Jack**, aka "Jack", has been used in all phases of ranch work, sorting, dragging calves, pasture roping and will watch a cow. Extremely gentle & guaranteed sound. Ridden by Carroll Jack Lewis.

**Swenson Land & Cattle Company.** In 1836, Swante Magnus Swenson arrived from Sweden and bought over 100,000 acres of the buffalo bayou, Brazos and Colorado Railway land. In 1882, when the government started imposing taxes, Swante enlisted his two sons Eric P. and Swen A. to find a way for the land to pay for itself. Fencing in 50,000 acres in Jones and Shackelford counties and adding cattle, the SMS brand was born. The SMS continued to build their land holdings and by 1898 had acquired 400,000 acres in parts of King, Motley and Dickens counties that they called the Spur Ranch. The brothers also acquired 78,000 acres in Cottle County, which is now known as the Tongue River Ranch.

Swenson Land and Cattle is owned by Bruce and Perry Swenson and their children. All direct descendants of Swante Magnus Swenson.

The Swenson family is committed to a long-term future in the cattle industry. Their major challenge today is the responsibility to be profit-driven, while keeping alive their 152 year heritage.

LOT **343**

PROPERTY OF **KEN COLLINS**

## WR COUNT RODEO

AQHA #4347095  
2003 PALOMINO GELDING

Doc's Hickory	Doc Bar
<b>Count Hickory</b> - AQHA	Miss Chickasha
Money From Home	Six Chick
	Cee Miss Snapper
Bob Acre Doc	Son Ofa Doc
<b>Miss Rodeo Bob</b> - AQHA	Sapp's Sandy
Arocka Doc	Son Ofa Doc
	Doc's Takla

**WR Count Rodeo**, aka "Casino", has been used on the ranch since he was started. He has had all aspects of ranch work done on him, such as dragging calves to the branding fire, sorting cattle, doctoring wheat pasture cattle, and working a rope. This yellow horse is user friendly, pretty and safe for anyone. He has been used in Ranch Rodeos, Ranch Cuttings, and Ranch Sorting competitions. He works both ends in Team Roping. You will wear out two pickup trucks trying to find another one like him.

**Ken Collins.** We have a small ranch in southwest Oklahoma that will run about 300 head of mother cows. We will turn calves out on wheat which allows plenty of opportunity to be horseback. We enjoy competing in Ranch Rodeos, Ranch Horse Competitions, Cuttings and Team Roping. I ride and train a lot of outside horses, hence I don't have too many of my own.

**SIRE: Count Hickory** ...NCHA money earner. 1993 NCHA Super Stakes 5th Amateur. 1994 NCHA Super Stakes 7th Amateur.

**DAM: Miss Rodeo Bob** ... She is by Bob Acre Doc, \$426,136 NCHA earnings, Two-Time NCHA World Champion, NCHA Open & Non-Pro Finals Champion twice, NCHA Gold, Platinum, Silver & Bronze Awards.

LOT **344**

PROPERTY OF **JOHN MORGAN O'BRIEN**

## PLAYGUNS ROYAL MOON

AQHA #4578665  
2004 GRAY GELDING

Playgun	Freckles Playboy
<b>Smokin Playgun</b> - AQHA	Miss Silver Pistol
Smokey Siren	Smoke 49
	First Patent
Moon Berry Scoot	Moon Rocket Obrien
<b>Ms Royal Moon</b> - AQHA	Scoots Miss Berry
Soots Royal King	Scoot's Bar
	Cupie Dall

**Playguns Royal Moon**, a.k.a. "Top Gun", was raised on the O'Brien Ranch. He is by an own son of the great Playgun and a nice ranch mare. After halter breaking as a yearling, he was started under saddle as a two-year-old and that is where his career began. He spent most of his life as a ranch horse working stock and roping cattle. For the previous five months, he has been in Versatility Ranch Horse training with James O'Brien. Top Gun is a kind fellow with a big eye and a desire to please.

**The O'Brien Ranch** of Beeville, Texas, was founded in 1856 as a cow/calf operation and continues as such today. Cattle are run on 90% of the ranch on open country. Cattle are gathered and worked horseback each week. Good horses are an important asset to the daily operations of the O'Brien Ranch.

The Quarter Horse breeding program began in the 1940s and continues as a reputable breeding program today. The South Texas ranch is family owned and operated and considers raising good, usable horses their greatest achievement. The horses raised on the O'Brien Ranch are known for their athletic ability and natural cow sense.

LOT  
**345**

PROPERTY OF **BILL CHILDS**

## LINDAS DAZZLING GENT

AQHA #3832496  
1999 SORREL GELDING

Happy Go Lena	Doc O'Lena
<b>Cincos Fiero</b> - AQHA	Freckles Delite
Cocos Cutie	Hoctish
	Smarty Chestnut
Whiz Ofa Hand	Alexander's Hand
<b>CK Linda Whiz</b> - AQHA	Whiz Queen 82
Cee Kay Josie	Roma Joe
	Cee Kay Linda

**Lindas Dazzling Gent** came off of the Lazy 71 Ranch owned by Dan Adcock. He has been out of the roping box in the roping events and has been used extensively by my grandson in roping as well as in ranch rodeo events. Also has been used everyday on the ranch in all kinds of ranch work. Gentle for anyone.

**SIRE: Cincos Fiero** ... A grandson of Doc O'Lena - NCHA Open Futurity Champion, winning all go-rounds. Equistat #7 All-Time Leading Cutting Sire, an NRHA and AQHA All-Time Leading Sire, siring the earners of over \$17,400,000, including Smart Little Lena, \$743,275, NCHA Triple Crown, Equi-Stat #1 All-Time Leading Sire. Doc O'Lena is the Equi-Stat #1 All-Time Leading Cutting and Reined Cowhorse Maternal Grandsire, and a Leading Reining Maternal Grandsire whose daughters have produced the earners of over \$38,500,000.

**DAM: CK Linda Whiz** ...A foundation bred mare carrying the bloodlines of some great horses including the great Alexander's Hand.

LOT  
**346**

PROPERTY OF **DUSTIN ROLLER**

## HIGH MARKED DOVE

AQHA #5180659  
2007 SORREL GELDING

High Brow Hickory	Doc's Hickory
<b>High Marked</b> - AQHA	Gruella San
Alexa Lena	Smart Little Lena
	Miss Freckles Last
Freckles Floyd	Freckles Playboy
<b>Freckles Sadie Dove</b> - AQHA	Brazos Lynx
Honey Dove King	Mocha Cutter
	Cash Chips

**High Marked Dove**, aka "Spiffy", a 2007 colt well introduced to a wide range of fields. Since being saddle broke at the end of May he has experienced a great deal of ranch work and show related training. His papers suggest he's got the ability to make a desirable ranch or even show horse and so far he has not faltered in that respect. Smooth to ride and knows what a hard day's work involves and will not quit on you. Sound!

**Dustin Roller**, grandson of Joy and Apache Adams, has been breaking horses and living on several southwest Texas ranches for twelve years, including the Pinto Canyon Ranch south of Marfa, the Adobe Walls Ranch near Terlingua, and the Adams Ranch south of Marathon. Dustin currently assists in running Adams Ranch near Fort Stockton. Training and using calm, good-minded, rock-footed, registered Quarter Horses, is an essential and historic element of the family's cow/calf operation.

**SIRE: High Marked** ...He is sired by High Brow Hickory, \$229,771: NCHA Open Futurity Co-Reserve Champion; NCHA Open Breeders Reserve Champion. An Equi-Stat Top 20 All-Time Leading Cutting, siring earners of \$4,800,000, including SMART LOOKIN HI BROW (\$216,394: Polo Ranch and Memphis Open Classics'

LOT  
**347**

PROPERTY OF **BRAD WILLIAMS**

## CHEXOUTMYGOLDENTUX

AQHA #3750189  
1998 PALOMINO GELDING

Doc Bar	Lightning Bar
<b>Doc Tom Tucker</b> - AQHA	Dandy Doll
Tonette Tivio	Poco Tivio
	Timmette
Bueno Chex	King Fritz
<b>Suzzie Chex</b> - AQHA	Sutherland's Miss
Muniz Tycessa	Tyree's Image
	Poco Princesa

**Chexoutmygoldentux** is a great horse. He has been hauled to all major PRCA Rodeos and heeled on at Dodge Circuit Finals and is ready to rodeo or just use. He is seasoned ready.

**SIRE: Doc Tom Tucker ...** One of the great sons of Doc Bar, AQHA Hall of Fame. The All-Time Leading Paternal Grandsire and Maternal Grandsire of Cutting Horses. "Everything in history has to have a starting spot. Twenty, 40, even 60 years down the road, you can always trace it back to the beginning. Doc Bar was the beginning" Bill Freeman said in the 1999 Quarter Horse News Stallion Register.

**DAM: Suzzie Chex ...** She is by the great Bueno Chex, one of the all time leading sires of reined cow horses, as well as performance champions in almost every performance event recognized by AQHA. He is sired by King Fritz, also the sire of numerous AQHA Champions and ROM qualifiers.

LOT  
**348**

PROPERTY OF **KARY MCNEILL**

## PEPPER KENT HANCOCK

AQHA #4103440  
2001 RED ROAN GELDING

Hancocks Blue Boy	Mr Roan Hancock
<b>Pepper Joe Hancock</b> - AQHA	Bluebird Hancock
Homespun Sally	Homespun Randy
	Indigo Sweetheart
Kent Cee	Lance Jones
<b>Kent Lady</b> - AQHA	Lesa Cogdell
Sassy Gray Holly	Gray Dee Too
	Mae Holly

**Pepper Kent Hancock**, aka "Jag", because he moves like a cat. Jag has been used on the ranch to herd cattle his second and third years. As a four year old, he was shown in AQHA. He won 2 points in Heading and 7.5 points in Heeling. Since then he has competed in hundreds of US ropings and rodeos. You can both head and heel on him. He is also broke very well for reining and he is very competitive for cow horse competitions, Stock Horse Of Texas and ranch horse competitions. He is my five year old son's favorite horse to run barrels on. Jag is very competitive for the serious competitor. He is quiet for someone to learn on as well as a great kid horse. He has been in our family since he was two years old. We hope he goes to a good home. Your family will love him. "Jag" is guaranteed sound in every way.

**SIRE: Pepper Joe Hancock ...** A foundation bred stallion carrying the blood of Mr Roan Hancock, sire of many performance horses.

**DAM: Kent Lady ...** A Cogdell Ranch bred mare, and a granddaughter of the great Cogdell Ranch sire, Lance Jones, sire of numerous winners in NCHA competition.

LOT **349**

PROPERTY OF **DANNY GONZALES**

# WEST FOUR POKE

AQHA #4485795  
2004 DUN GELDING

**West Four Poke**, aka "Dunny", was bred and raised on the Haythorn Land and Cattle Company in Arthur, Nebraska. He was trained by Kirt Wingate for reined cow horse competition. As a three year old, he placed 3<sup>rd</sup> at the Waldo Haythorn Futurity. Since then he has been used as a ranch gelding gathering and doctoring cattle in the pasture and feed lot. We have also used him for ranch sorting and turn-back.

**SIRE: Poco Bueno Image ...** A royally bred stallion combining some of the best blood of the Frank Perkins breeding program.

**DAM: West 121 ...** Foundation breeding at its best, combining the blood of Driftwood and Question Mark.

Poco Bueno Tom	Poco Bueno
<b>Poco Bueno Image - AQHA</b>	Tom's Tina
Hugs Image	Hug Bars
	Echo Signal
Drifts Chip	Double Drift
<b>West 121 - AQHA</b>	Diamond Isle
Rainy Day April	Reed R Question
	Ceder Cindy

LOT **350**

PROPERTY OF **BUTTON CRISWELL**

# SANDS CAL PEPPY

AQHA #4736613  
2005 BUCKSKIN GELDING

**Sands Cal Peppy** comes right off of our yearling operation in the panhandle of Texas. We keep a good string of geldings that are used daily in this operation. We depend on them heavily. During the course of a year we may rope and doctor 2,000 to 3,000 head off of these horses. They are seasoned at gathering, sorting, doctoring, loading trucks and any other task that may present itself that must be performed horseback. Many of our geldings can rope and trip just about anything out in big pastures. We have even roped a few Pronghorn Antelope for fun in real deep snow off of some of our geldings. From time to time we market a few of our geldings to the public like we are doing here today. This is not because something is wrong with them. It is our way of making room for the two and three-year-olds that we have coming into the work force. If we keep all of the seasoned horses, then we have a way of not riding the two and three-year-olds to make good horses out of them. The gelding we have here today has seen and done everything you can possibly imagine in a ranch setting and yearling operation. He is a true ranch horse in every sense of the word.

Loris Sand Peppy	Otoe Sand Peppy
<b>Peppys Sand Duster - AQHA</b>	Loris Pronta Gal
Concho Marvin	Concho Jim
	Nueces Kelly
Snapper Cal Bar	Cal Bar
<b>Snapper Bars Kitty - AQHA</b>	Cee Miss Snapper
Sassie Kitty	Paul's Clab Bar
	Ko Keta

LOT **351**

PROPERTY OF **TONY HALL**

# BLUE STEEL COWBOY

AQHA #4782837  
2005 GRAY GELDING

Mr Trouble Step	Trouble Steel Bar
Gray Nunn	<b>BB Steel Den Best</b> - AQHA
Dennis Good	Dens BB Miss Best
Hug Best	Cowboy Freckles
Colonel Freckles	<b>Freckled Face Prissy</b> - AQHA
Lilo's Cowgirl	Play Time Prissy
Play Time Stampede	
Sonnys Harmac Gal	

**Blue Steel Cowboy**, aka "Steel", has been used in all phases of ranch work. He had been used doctoring yearlings. Gentle and sound. He has also been started in heeling.

**SIRE: BB Steel Den Best ...** He is a grandson of the great Mr Trouble Step, sire of numerous AQHA Champions and AQHA World Show qualifiers.

**DAM: Freckled Face Prissy ...** She is a granddaughter of Colonel Freckles, NCHA Open Futurity Champion. A sire of the earners of over \$4,402,000, including Colonel Lil \$244,145 NCHA Open Futurity Champion; 4th, NCHA Open Super Stakes, Cols Lil Pepper (\$187,384: NCHA Open Futurity Reserve Champion and winner of the Semi-Finals; NCHA Open Super Stakes Classic Champion), Colonel Flip (\$175,560: split 3rd, NCHA Open Futurity; Bonanza 5-Year-Old Open Champion), Glow A Freckle (\$134,040: PCCHA Open Futurity Reserve Champion), Chloes Freckles (\$126,645: split 7th, NCHA Open Super Stakes), etc.

LOT **352**

PROPERTY OF **TIM RIDDLE**

# SPURS LIL MITO

AQHA #4350111  
2003 SORREL GELDING

Jess Ta Gold Touch	Jesse Dry Doc
Smokem Dry Lady	<b>Jessies Smoken Pine</b> - AQHA
Baileys Dan Pine	Bertas Pine
Puntney Roberta	Mitos Perfection
Mito Cody	<b>Colorful Mito</b> - AQHA
Pals Hot Shot	Glos Tuff Girl
Heza Tuffy Dude	
Miss Glo Glo Girl	

**Spurs Lil Mito** has been ranch ridden exclusively and is gentle to be around. He has been used in the feed yard and has roped and doctored lots of cattle.

**SIRE: Jessies Smoken Pine ...** A stallion carrying the blood of the famous Dry Doc, NCHA Open Futurity Champion, NCHA Non-Pro Top Ten (3rd), NCHA Hall of Fame, \$85,148, AQHA Reserve World Champion Sr Cutting Horse, Superior Cutting, Equistat Top Fifteen All-Time Leading Cutting Sire, siring De Doc, NCHA World Champion; Dry Clean, \$279,505, NCHA Open Super Stakes Champion; Miss Royale Dry, NCHA Non-Pro Futurity Reserve Champion; Dry Deck, NCHA Non-Pro World Champion Stallion, Reserve World Champion; Earlina Dry, NCHA Non-Pro Derby Champion; Miss Dry, NCHA Non-Pro Futurity Champion; etc.

**DAM: Colorful Mito ...** A granddaughter of the of the all around performance horse sire Mito Cody.

# DESERT SHAY

AQHA #4169643  
2001 BAY GELDING

Bar Hemp	Hempen
<b>Hemps Desert Moon</b> - AQHA	Three Lilies
Shays Deserrt Moon	Kits Moon Shadow
	Shay Moore
Tough Mico	War Mico
<b>Tough Whimper Shay</b> - AQHA	Beach Sonia
Whimper San	Docs San Dee
	Whimper Jean

**Desert Shay**, aka "Shay", is an excellent ranch horse that has been used in all areas of ranch use, from gathering and branding to just riding fences. Shay's full brother is my #1 rodeo horse that I have competed on at PRCA rodeos in both team roping and steer roping. Including the 2009 PRCA Prairie Circuit Steer Roping Finals. Shay is an extremely athletic and catty horse, standing 15.1 and weighing 1250 pounds. He has been started in the arena steer roping and heading and has tremendous ability, this is a big time horse in the making. He is very well made with great legs, heavy muscle and a foot that needs a #2 shoe! This is old school Quarter Horse breeding at its best. From the ranch to the arena Shay is your pick.

**Casey Pearson.** My family has been involved in ranching and raising horses for more than 70 years. I have trained and shown horses that have competed and won at AQHA shows as well as rodeos. I qualified two times to the CNFR while earning a degree from Sam Houston State University. Since graduating from college, I have qualified for the California PRCA Circuit Finals in calf roping, and most recently I qualified for the 2009 PRCA Prairie Circuit Steer Roping Finals. I have always had a great deal of pride in the horses I've trained and in the success others have had on horses I trained.

# NOTES