

# America's Premier Ranch Gelding Sale

***A Real Western  
Showcase***

**SAN ANTONIO  
Ranch Gelding  
Stakes & Sale  
Sunday - Feb. 13, 2011**



To be held during the 62nd Annual San Antonio Livestock Exposition, San Antonio, Texas  
**Stakes Competition: 7:00 a.m.**

**Sale: Held that same afternoon, immediately following the judged competition.**

**THE SOURCE** for the hard-to-find, true using horse and the leading sale of its kind in America. All geldings will participate in a judged competition where each entry will have 7 minutes to perform 6 routine ranch maneuvers before 2 judges.

All geldings will then sell at public auction held that same afternoon. Combined, our last 3 sales have sent geldings to 32 states where satisfied owners have come to depend on us as THEIR SOURCE.

**Join us February 13.**

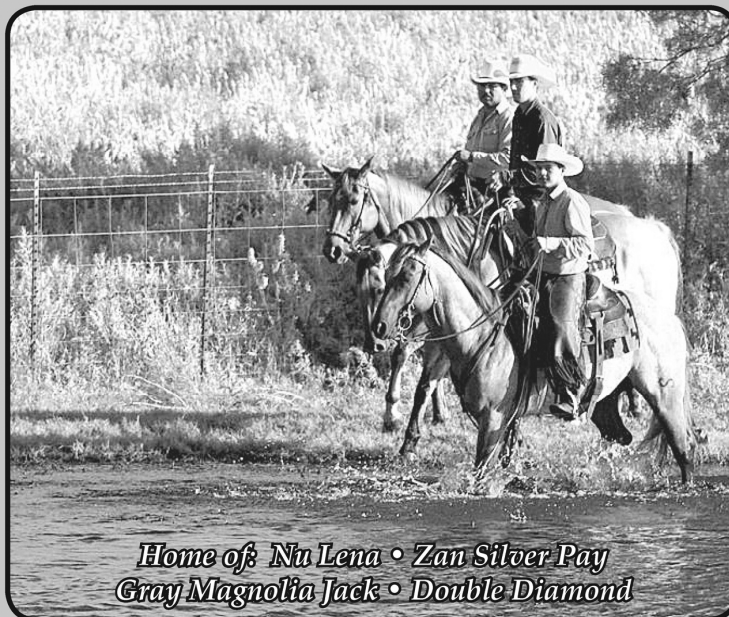


P. O. Box 224 - Midlothian, Texas 76065  
(972) 775-2880  
[www.DDSEGRAVES.com](http://www.DDSEGRAVES.com)  
Email: [MAIL@DDSEGRAVES.COM](mailto:MAIL@DDSEGRAVES.COM)

## RANCH GELDING SPONSOR

***Day In and Day Out...  
Horses We Rely On!***

**H & H Livestock  
Horse Division  
Pearsall, Texas  
The Home of  
Quality Ranch Horses**



At H & H Livestock, a days work is required from all of our horses. Hardy enough to withstand the stress of every day ranch work. Mares, versatile enough to go from under the saddle, into the broodmare band. As the initial sponsor of the San Antonio Ranch Gelding Stakes & Sale, we are proud of the quality horses we raise. Come by and we'll be glad to show you some outstanding ranch horses and future prospects bred to get the job done.

### **Upcoming H & H Livestock Horse Division Consignments:**

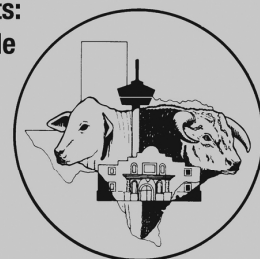
**One 6-Year Old Line-Back Dun Gelding sired by Nu Lena will be consigned to the San Antonio Ranch Gelding Stakes and Sale, Sunday, February 13, 2011 during the San Antonio Stock Show and Rodeo.**

**Two Young Geldings straight out of our remuda will be Featured in South Texas Cattle Marketing's Annual Spring Gathering Replacement Female Sale, February 26, 2011 at Nixon Livestock Commission, Nixon, TX.**



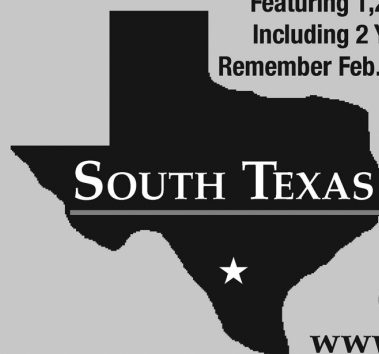
**Look For South Texas Cattle Marketing Consignments:  
San Antonio Livestock Exposition Commercial Female  
Pen Show and Sale, February 8th & 9th, 2011  
during the San Antonio Stock Show And Rodeo.**

- 5** First Calf Brahman Pairs, 28 mos. old, with calves by Hereford Bulls.
- 5** First Calf Brahman Heifers, 24 mos. old, bred to Hereford Bulls.
- 5** Open Brahman Heifers, ready for bulls.



**Mark Your Calendar for South Texas Cattle Marketing's  
Annual Spring Gathering "Cattleman's Opportunity" Replacement Female  
Sale, February 26, 2011 at Nixon Livestock Commission, Nixon, Texas**

**Featuring 1,200 Head of Quality Replacement Females  
Including 2 Young Geldings straight from our Remuda  
Remember Feb. 26, 2011 at Nixon Livestock Commission**



**SOUTH TEXAS CATTLE MARKETING**

*For more information contact:*

**Lew Thompson, Marketing Director**

**(830) 334-8227 (O) • (830) 965-3058 (M)**

**www.southtexascattlemarketing.com • (830) 334-8106 Fax**



RANCH GELDING SPONSORS

**D&D**  
**Farm & Ranch**  
Western Wear • Tack  
Fence • Trailers

*and* **Wrangler**  
Both Western Originals

(See Ad Inside Back Cover)

**TVS**

*Providing all your Vet Supply Needs*


**Texas Vet Supply** ★ **866-344-7016**

Rx Rx

-  **Equine**
-  **Cattle**
-  **Dogs & Cats**

We are your one-stop source for all your animal vet supply needs!

[www.texasvetsupply.com](http://www.texasvetsupply.com)

**Cactus Saddlery**  
official saddle of the 

**SCHNEIDERS**  
Value Priced Horse Supplies Since 1948

# The 2011 San Antonio Ranch Gelding Show & Sale is Dedicated to

## **DOLPH BRISCOE, JR.** **1923-2010**

Dolph Briscoe, Jr. was born April 23, 1923 in Uvalde, Texas. He was the son of a self-made cattle rancher. Briscoe was valedictorian of Uvalde High School in 1939, and four years later graduated from the University of Texas at Austin. It was at the university that Briscoe met Janey Slaughter, whom he married in 1942. Following his college graduation, Briscoe enlisted in the U.S. Army during World War II, where he served as an officer in the China-Burma-India theater.

Texas cattlemen have long been involved in state politics, and Briscoe embodied that tradition. Following a childhood interest in politics, Briscoe served eight years in the Texas House representing Uvalde, Medina, Zavala and Dimmit Counties. He was best known for his time in the House for co-authoring legislation to build farm-to-market roads, which provided the infrastructure to more efficiently transport crops to buyers. This advance so revolutionized agriculture that Briscoe likened it to getting electricity in rural areas. Briscoe served in the House from 1949 to 1957, and was re-elected to each term without opposition.

Although he then left the legislature to devote more time to the family business, Briscoe continued to serve his agricultural community. In 1960, he was the youngest person ever elected as President of the Texas and Southwestern Cattle Raisers Association. From that position, he was instrumental in raising \$3 million in voluntary contributions to launch a screwworm eradication program. The success of this program is considered by livestock growers to be the most important and beneficial development in recent times, saving livestock producers many millions of dollars each year.

Briscoe went on to hold many positions, including Chairman of the National Livestock & Meat Board (1967), President of the South Texas Chamber of Commerce (1968), President of the Texas State Chamber of Commerce (1969), and Chairman of the Mohair Council of America (1970).

Briscoe's public servitude reached new heights when he was elected as governor of Texas in 1972. He remained governor until 1979. He was noted for his honesty and integrity, and was vigilant in protecting the interests of farmers and ranchers. Throughout his time as governor, he remained dedicated to his family ranch, and felt time spent there was an important part of his perspective. When the Briscoes returned to Uvalde in 1979, they remained active in cattle ranching, banking and philanthropy.

The Briscoe family had deep Texas roots, and upon his father's death Briscoe became the operator of one of the foremost ranches in Texas. By 1972 he and Janey were considered the state's largest single landholders, amassing some 640,000 acres.

San Antonio Stock Show & Rodeo benefited greatly from Briscoe's leadership, starting with the early days of the show. In fact, Briscoe held Life Member number 1064, issued in 1951. He also became a Director in 1951, and a Director Emeritus in 1986. He was inducted into the San Antonio Stock Show & Rodeo Hall of Fame in 2007.

Dolph Briscoe, Jr was preceded in death by his wife, Janey, and is survived by their three children, Janey Briscoe Marmion, Dolph "Chip" Briscoe III, and Cele Briscoe Carpenter, along with six grandchildren.

Briscoe was truly one of the giants of the South Texas agricultural community, and his interest in agriculture revolutionized ranching in South Texas. He was an archetypal Texan.

# DOLPH BRISCOE, JR.

1923-2010



## **Gelding Stakes & Sale - Previous Dedication Recipients**

Mike Hildebrand - 1995  
Beto Muzquiz - 1996  
J. Graham Quesenberry - 1997  
J.M. (Jimmy) Phillips - 1998  
Wayne Pooley - 1999  
Roy Hindes – 2000  
Dan W. Kinsel, Jr. – 2001  
Mary Nan West – 2002

Walter H. Joyce, Jr. - 2003  
Betty Katherine D. Henrichson - 2004  
Leonard Stiles – 2005  
Frank DeRyee Henrichson – 2006  
J.B. Hill - 2007  
Sidney Afton Lindsay, Jr - 2008  
Howard Stulting - 2009  
Archie Jerome Schuchart—2010

# THE 2011 RANCH GELDING COMPETITION

---

All geldings entered in the show & sale will be required to perform and be judged on their ability to do certain tasks that are routinely associated with ranch work. This competition will be carried out before an audience of prospective buyers which will be making their selections for the auction which will immediately follow the competition and awards. The competition will begin at 7:00 a.m. on Sunday morning, February 13th.

Although the competition and judging is in fact a "show", it is unlike that of any other AQHA approved event. It is in fact a series of maneuvers which the ranch horse must perform everyday. These maneuvers are as follows:

1. Gelding will enter the arena already saddled and being led by the rider. Rider will lead horse to center of the arena, drop reins to the ground and pick up all four of the horse's feet.
2. Rider will Mount and begin Handling Ability (see Diagram on next page).
  - 2) The rider shall mount and TROT to the center of arena in preparation for circles; 3) Begin a lope in the left lead, starting the first circle to the left; 4) Complete this circle small and slow; 5) Complete this next circle, also to the left, large and fast; 6) Change lead to right lead in center of arena and begin small circle to the right. (See diagram); 7) After changing leads reduce speed and complete this circle to the right, small and slow. (See diagram); 8) Complete this next circle, also to the right, large and fast. (See diagram); 9) Change lead to left lead in center of arena and begin a large half circle to the left; 10) Make this half circle to the left, large and fast, and turn left at the completion of the half circle to begin first run down; 11) Run down the middle of the arena to the far end of the arena and do a right rollback with no hesitation; 12) Run down the middle of the arena to the opposite end of the arena and do a left rollback with no hesitation; 13) Run down the middle of the arena to just past the center of arena and do a sliding stop; 14) Back up a minimum of fifteen feet. Hesitate; 15) Do three complete 360 degree spins to the right. Hesitate; 16) Do three complete 360 degree spins to the left. Hesitate; 17) TROT to the arena fence where the rain slicker is located; 18) Pick up the rain slicker and drape across the front of the saddle; 19) TROT to the end of arena and lay the rain slicker over the top of the fence (Cow work begins next.)
3. One yearling heifer or steer will be turned into the arena. Cattle draw will be by gate cut. Gelding will be required to first work the yearling against the short end of the arena fence (similar to a cutting horse). Next, the rider shall drive the yearling down the long side of the arena fence, pass, and turn the yearling back the opposite direction (similar to AQHA Working Cowhorse). This last maneuver shall be performed once in each direction.
4. Rope the yearling, dally, drag yearling a minimum of 10 yards, and release dally. (Only two loops will be permitted and loop must pass over the yearling's head.)
5. Exit the arena with the rider opening and closing the gate from horseback.

**A 7-minute time limit will be allotted to each gelding to perform the above maneuvers.**

A panel of two judges, who are all well qualified to judge ranch horses, will score each gelding. The two judges' scores will then be totaled to come up with the composite placings. Awards will consist of cash prizes totaling \$7,500.00 from 1st thru 8th places. First place, the Champion, will receive a new saddle with the name of the show & sale, and the year stamped on the saddle's stirrup fender. Second thru eighth place will receive a hand-tooled breast collar with the name of the show, sale and year stamped on.

### **Cash awards will be as follows:**

1st Place - \$2,100.00 plus new saddle to winner	5th Place - \$675.00 plus hand-tooled breast collar
2nd Place - \$1,725.00 plus hand-tooled breast collar	6th Place - \$525.00 plus hand-tooled breast collar
3rd Place - \$1,050.00 plus hand-tooled breast collar	7th Place - \$375.00 plus hand-tooled breast collar
4th Place - \$900.00 plus hand-tooled breast collar	8th Place - \$150.00 plus hand-tooled breast collar

**Cowboy's Choice Award** - \$25.00 of each consignment fee will be held in a separate purse and will be awarded to the Top 3 Geldings as voted by the Consignor's of the Ranch Horse Competition.

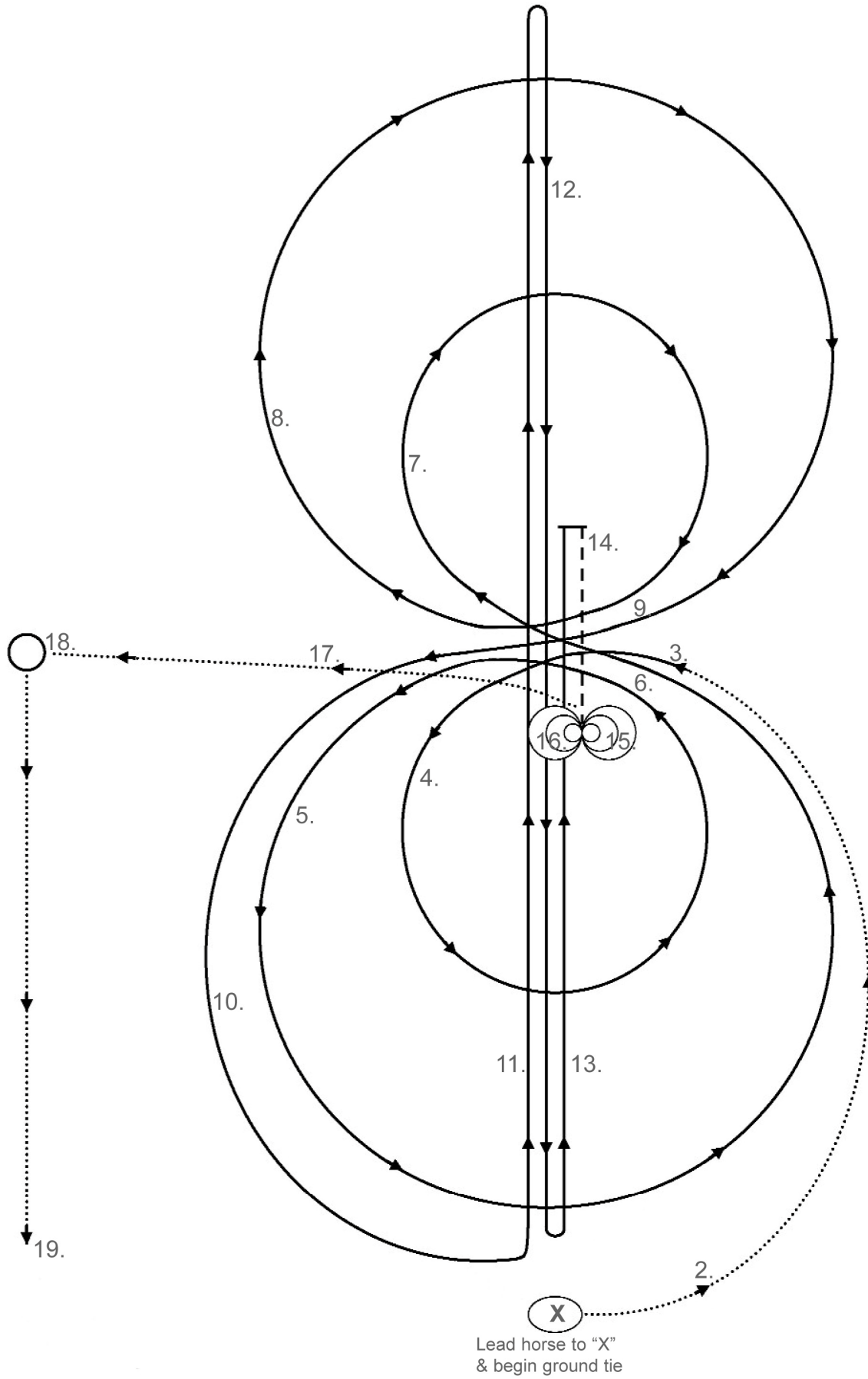
- a. Each Consignor will receive only one ballot regardless of the number of horses he or she has consigned.
- b. Consignor can not vote on a horse he/she owns.
- c. Purse for this award will be divided according to the following percentages: 45% for first place, 37% for second place, and 18% for third place.

### **The 2011 Ranch Gelding Sale**

A brief award ceremony will kick-off the auction, with each of the eight placing horses receiving their award in the auction ring while photos are taken. Geldings will then sell in catalog order.

**The Sale will be held in the Auction Sale Arena on the grounds of AT&T CENTER.**

# HANDLING ABILITY DIAGRAM



Lead horse to "X"  
& begin ground tie

# TERMS AND CONDITIONS OF SALE

1. **LAW.** The horses are offered for sale according to the laws of the State of Texas.
2. **BIDDING DISPUTES.** The highest bidder will be the buyer, and if dispute arises between two or more bidders, the horse in dispute shall immediately be put up again for advance bids. If there be no advance, the horse shall go to the person from whom the auctioneer recognized the last bid. The auctioneer will decline any bid made by parties who have DEFAULTED in former purchases, or by persons who, in his judgment are not responsible bidders. Immediately after horse is sold, the buyer shall sign acknowledgment of purchase forthwith. The right to bid is reserved by all Sellers and Seller's Agents.
3. **BUYER'S PAYMENT.** Terms of sale are cash (U.S. funds only) to be paid on the day of the sale. Method of payment shall be Cash, Cashier's Check, Travelers Checks or pre-approved Personalized Bank Check which has been verified and approved in advance. **A 3.5% office processing fee will be added to all purchases (however, this fee will be discounted for purchases paid for by Cash, Cashier's Check, or Personal Check.)** However, all registration papers will be retained by the Sale Management until such checks clear the paying institution. Approved MasterCard, Visa and Discover credit cards will also be accepted. Foreign buyers must pay with money orders, U.S. cash currency or personalized bank checks from a United States Bank. Bank drafts will not be accepted. (See CHECK LIABILITY clause below). Any payment made by the buyer to the consignor or any other party will not be regarded as valid or entitle the buyer to delivery or title of the horse. All horses must be paid for in this manner regardless of whether they sell in the auction sale ring or on the auction grounds.
4. **GATE RELEASE.** Upon payment by the buyer to the Sale Cashier, and only the Sale Cashier, the Cashier will issue an order to Buyer which will release the horse from the auction grounds. Buyers are cautioned not to lose this release as it permits holder to pass through the exit gate of the auction grounds with the horse.
5. **LIMITED WARRANTIES.** With respect to any and all warranties, Dale Segraves and Associates, auctioneers and clerks do not represent the Buyer or Consignor, but merely provide a medium for bringing together the Buyer and Consignor for the purpose of sale transactions. All responsibilities and guarantees lie solely between Buyer and Consignor. Except as otherwise announced by the auctioneer at time of sale, the Consignor represents and warrants unto Buyer as follows: (1) the horse is free of functional deficiencies with respect to eyes and wind, (2) the horse is not a "cribber" (windsucker), (3) the horse has not been nerved, (4) the sex or condition of a gelding or ridgeling is as described in the catalog, and (5) title to the horse is free from all adverse claims of ownership, use or possession. All descendants of the AQHA Stallion, IMPRESSIVE, sell "as is"; and the buyer is responsible for obtaining pedigree information not supplied in the Sale Catalog. Except for the foregoing limited warranties, each horse is sold by the Consignor without warranty and as is, with all faults. Every horse will be sold under this rule. There is no guarantee with respect to the physical condition, health, disposition, use or intended use of any horse in this sale other than the limited warranties by Consignor as set out above. A recorded tape will be made of the entire auction which shall be used to settle disputes regarding statements made about horses while in the auction ring. If a dispute arises between Buyer and Consignor, then the recorded tape will be used to settle the dispute.
6. **TITLE.** Title to and risk of loss passes from Consignor to Buyer upon Buyer's signature of confirmation of purchase immediately after the horse is struck down by the auctioneer.
7. **CARE OF HORSES.** Effective from the time of purchase, the Buyer assumes all responsibility for the maintenance and proper care of the horse. No inhumane treatment, abuse or neglect of any horse will be permitted while horse is on the auction grounds.
8. **RISK OF LOSS.** Risk of loss passes from Consignor to the Buyer upon Buyer's signature of confirmation of purchase immediately after the horse is struck down by the auctioneer. This shall especially be the condition in the case of illness, injury or death of any horse after it has been sold. The Buyer agrees to indemnify and hold the Consignor and Dale Segraves and Associates harmless from all loss, cost and expense arising from the illness, injury or death of a horse or loss or damage to property and injury or death of persons caused by the Buyer, the Buyer's agents or employees, or by the horse after horse has been purchased. Under Texas Law (Chapter 87, Civil Practice and Remedies Code), an equine professional is not liable for an injury to or the death of a participant in equine activities resulting from the inherent risks of equine activities.
9. **REMOVAL OF HORSES.** All horses must be removed from the auction sale grounds by no later than 10:00 A.M. on the day following the sale. Failure to remove the horse for any reason will obligate the Buyer to pay all costs associated with board and transportation of the horse.
10. **CATALOG ERRORS.** Every effort has been made to assure correctness of the sale catalog. However, the sale management, San Antonio Livestock Exposition, auctioneers and announcers are not responsible for errors or omissions, and assume no liability on its part or on the part of Consignors as to any statements made by the Consignor which are printed in the catalog on behalf of Consignor. When errors or omissions are brought to the attention of the sale management, auctioneers or announcers, or when such errors or omissions are discovered by the sale management, announcements will be made to correct such errors or omissions. Buyer's are cautioned to pay close attention to these announcements made by the auctioneer or announcer at time of sale as these announcements will take precedence over the printed matter in the sale catalog. A recorded tape will be made of the entire auction to fully document these announcements.
11. **REGISTRATION CERTIFICATES AND TRANSFER.** All registration certificates and transfer reports will be held by sale management for a minimum of 15 banking days or until Buyer's check clears the drawee bank and becomes unconditional credit, whichever is latest. Registration certificates and transfers will then be sent to AQHA/APHA for recording the transfer of ownership into the Buyer's name. Buyer's will receive the Registration Certificate from the AQHA/APHA. Any fees pertaining to membership as required by the American Quarter Horse Association or the American Paint Horse Association will be paid by Buyer. Buyer is hereby notified that in order to transfer a horse into Buyer's name, Buyer must be a current AQHA or APHA member.
12. **CAUTION.** Everyone attending this sale agrees to save and hold harmless and indemnify San Antonio Livestock Exposition (S.A.L.E.), Dale Segraves and Associates (the Sale Management Company), its agents, employees or servants, from and against any and all liability, debt, claims, suits, losses, damages, causes of action, judgments, costs and expenses, including attorneys' fees, arising or allegedly arising from personal injury or death of any person or horse, including but not limited to employees of the Consignor or Buyer, property damage, including loss of use thereof, economical loss or otherwise, arising or growing out of the use of any of the facilities in connection with the auction sale due in any manner to the negligence or intentional acts of the Consignor, Buyer or Spectator any of their employees, agents or servants in the performance of any act, error, omission or negligence of S.A.L.E. or the Sale Management Company occurring concurrently with that of the Consignor, Buyer or Spectator contributing to any loss indemnified hereunder, except for the sole negligence or willful misconduct of the S.A.L.E. or the Sale Management Company. It is further understood and agreed that in no case will S.A.L.E. or the Sale Management, its directors, officers and managers, or any of them be held responsible for any loss, damage or injury of any character to any person, animal or article during the sale.
13. **INSPECTION OF HORSES.** Prospective buyers are cautioned and hereby instructed to examine horses thoroughly before purchasing. Buyers should refer to the LIMITED WARRANTIES condition printed above and read the LIMITED WARRANTIES condition in its entirety. It will be strictly enforced.
14. **HEALTH REQUIREMENTS.** All horses selling in this sale have met the health requirements for the State of Texas, have been required to have been Coggins Tested negative for Equine Infectious Anemia within the past 12 months from the day of the sale, and have been required to have undergone a health examination.
15. **CHECK LIABILITY.** The law regarding insufficient fund checks is as follows: Any person signing a personalized check in the State of Texas will be held liable for the amount of the check. Acceptable form of personal identification will be required. No post dated checks will be accepted. Appropriate legal services will be obtained in whatever State and County necessary in the United States to secure performance of any check given. These conditions will be enforced to the fullest extent of the law and no exceptions will be made.
16. **RESALES.** In the event a Buyer defaults on accepting or paying for a horse sold to Buyer, the Sale Management reserves the right to accept the same purchase amount from another person, accept the next highest bid, put the horse up for sale a second time, or retain it for the Consignor as unsold; however, nothing shall prevent the sale management and/or the Consignor from pursuing whatever legal remedy available to compel the Buyer to perform as set out herein. Mistakes made by the auctioneer will also necessitate the resale of a horse.
17. The Seller/Consignor shall pay the AQHA/APHA transfer fee.

## RANCH GELDING JUDGES

### Tripp Townsend Earth, Texas

Tripp Townsend is an approved judge for the Ranch Horse Association of America (RHAA). He has successfully shown five horses to RHAA World Champion status, two of which were in the same year in 2010. Tripp has also competed in many of the San Antonio Ranch Gelding Stakes competitions in the early years of the event's history, having been named Reserved Champion of the event and placing as a finalist several times.

Just recently, at the Fort Worth Stock Show, Tripp was named Champion of the 2011 Invitational Ranch Horse Show and Sale. He was also Champion of the event in 2009.

Tripp, in conjunction with other business partners, operates Sandhill Cattle Company, located in the panhandle of Texas. Sandhill currently leases 15,000 acres of grass in Lamb County which runs about 1,500 head of company and customer cattle in the summer. During winter, 3,000 head of yearlings are cared for on wheat pasture. Sandhill Cattle Company owns 200 head of cows and also owns a 2,000 head pre-conditioning lot. Sandhill keeps a small group of broodmares that are bred to different outside stallions for the purpose of raising their own ranch horses.

### George Chappell Terrell, Texas

George Chappell has been an approved judge for the American Quarter Horse Association since 1980. His specialty is all of the roping events plus the AQHA Versatility class. He has judged the AQHA World Championship Show two times.

Throughout his career as a competitor, George has successfully shown a long list of horses to World Champion and Reserve World Champion titles. This includes three AQHA World Champion Calf Roping Horses which were Skip O Glory, Roan Bar Frank, and JH Rocky Playboy. He has also shown six horses to the AQHA Reserve World Champion title in both calf roping and team roping.

In PRCA competition, George has produced three PRCA Calf Roping Horses of the Year.

During his career in the Quarter Horse business, George has sold 35 horses that have gone on to win AQHA World Championships, a level of success that few horsemen have achieved.

## RANCH GELDING CONSIGNOR INDEX

<u>CONSIGNOR</u>	<u>LOT#</u>	<u>HORSE</u>	<u>CONSIGNOR</u>	<u>LOT#</u>	<u>HORSE</u>
2J LIVESTOCK LP,	363	GUNNIN FOUR ROJO	MATKIN, JOE	304	PLAYVIEW ALAMO JR
ADAMS, RANDON	305	FIREFOX BANNER	McFARLANE, JULIE	331	LIL LILO LEGEND
ADAMS, RANDON	332	REDFORDS GO	MCKIBBON/ZIMMERMAN	327	DIAMONDS LAST DUALY
ADAMS, RANDON	360	PRICE OF A CROWN	MITCHELL, MARK	310	GRAY LAD HANCOCK
ADKINS RANCH	322	MBAR EASTER QUIXOTE	O'BRIEN, JOHN MORGAN	329	FANTASY PAY DAY
ALLEN, DUSTIN/QUINCY	320	THE SIXTH MAN	O'BRIEN, JOHN MORGAN	349	PAY DAYS DIAMOND LU
BAILEY, MARK/JENNIFER	336	BOOHER QUINTAN JOE	O'BRIEN III, JOHN MORGAN	301	LASSOS DELTA DOC
BAR T QUARTER HORSES	343	LBP QUICK 706	PEACOCK, GUY P.	316	LITTLE JOES COLONEL
BENNETT, TEAL/COURTNEY	309	DUSTERS DIDO	PEACOCK, GUY P.	361	PEPPYS POBRE BAR
BURSON, JASON	356	RR DOCS LITTLE SUGA	RICE, CALEB	334	ROCKY MOUNTAINS BOY
BUTLER, BODIE	335	ROSCOS APPROACH	RICHARDSON, T	324	MISSIN INSTANT
CONNER, C. ROSS	342	A SPARKLING CHEXINIC	RIDDLE, TIM	318	JESS MATE
CORRALES, EFRAIN	355	TEXAS SANDRAW	RIDDLE, TIM	353	HICKORY STARARIO
COWBOY COLLECTION QH	321	APTTUBE A TAZ	ROBERTSON, DARREN	325	HES A BLUE GUN
DEADY, CLAY	307	REYSINHELLINTEXAS	ROCKIN DIAMOND S	303	DOLCE POKE
FRED BRAY RANCH	315	MRR MECOM RED	ROCKIN DIAMOND S	351	CADDO DANDY
FRED BRAY RANCH	347	BIG BLUE NORTHER	ROSENAUER, RODNEY	330	TWOSTEPIN AWAY
GILLILAND, KIP	306	RX SUGAR FOOT	SMITH, WILLIAM WELDON	339	OLENA ANDY CHEX
GILLILAND, KIP	337	HTDRYCHEX	STANFIELD, AARON	326	SMART LIL SCRIPTON
GILLILAND, KIP	364	TIMOTEO SUERTE	STANFIELD, AARON	362	LITTLE BONO
GOODRICH, MARK/C	345	HERES MY MONEY CAT	STILES, JOHN/JENNIFER	344	SPORT PISTOL
HARTMANN CATTLE CO	302	CAMO GUN	STRICKLAND, SHAUN	338	CAPTAIN
HARTMANN CATTLE CO	350	BLONDYS RIP	SUTTON, H E	308	BOOTSCOOTIN COONEY
HOLDEN, SHAWN	314	POCO PEPPY CAYENNE	SUTTON, H E - S&S FARMS	359	SMARTYS SUGARMAN
HOLDEN, SHAWN	346	CATS MOTORCHROME	THOMPSON, LEW	312	LENAS DUN CAPTAIN
JAY, MICHELLE	317	CATS ROYAL FLUSH	VILLARREAL, DAVID/DOLLY	352	TEJAS DIEGO BAR
KUEHLER, SETH	354	BECACO FLO FOUR	WATERS, KLAY	319	WESTCO PG SAN BADGER
LAMB, BILLY	333	FREEDOMS LITTLE LENA	WEST FARMS	313	DOS O REY
LAWRENCE CATTLE CO	311	PAULAS PISTOL PETE	WEST FARMS	328	BLACK BAYOU BOON
LAWRENCE CATTLE CO	348	LIVE FROM HOLLYWOOD	WEST FARMS	341	IMASWEETPIOLENA
LIMING, SHAWN	357	UNREGISTERED/LITTLEMAN	WEST FARMS	358	JAZZY LIL STAR
M&M QUARTER HORSES	340	TRAVELEN HICKORY	WILLIAMS, HUNTER	323	SANTANASLUCKYFEATHER

LOT  
**301**

PROPERTY OF **JOHN MORGAN O'BRIEN III**

## LASSOS DELTA DOC

AQHA #4746234  
2005 RED ROAN GELDING

Blue Lasso	Blues Dividend
<b>Blue Lasso Hancock</b> - AQHA	Lassos Blue
Miss Azul Ace	Azul Caballo Amigo
	Dream Ace
Gay Bar Morgan	Gay Bar King
<b>Delta Gay Doc</b> - AQHA	Miss Jocelyn
Docs Delta Deucey	Docs Acey Deucey
	Delta Diana

**Lassos Delta Doc**, aka "Slow Ride", is an easy going, flashy bay roan gelding. Like all the horses raised on the ranch, he spent his first two years in the pasture. Once he was broke he has been used at the ranch to gather and work cattle in the brush and pens. As a more mature gelding, his pasture roping prepared him for his arena roping. He has been in Versatility Ranch Horse training with James O'Brien for the last eight months. Slow Ride has been ridden and shown by Morgan's nine year old granddaughter. He is a sweet gentleman with big, kind eye and a desire to please.

**The O'Brien Ranch** of Beeville, Texas, was founded in 1856 as a cow/calf operation and continues as such today. Cattle are run on 90% of the ranch on open country. Cattle are gathered and worked horseback each week. Good horses are an important asset to the daily operations of the O'Brien Ranch. Their Quarter Horse breeding program began in the 1940s and continues as a reputable breeding program today. The South Texas ranch is family owned and operated and considers raising good, usable horses their greatest achievement. Their horses are known for their athletic ability and natural cow sense.

LOT  
**302**

PROPERTY OF **HARTMANN CATTLE COMPANY**

## CAMO GUN

AQHA #4642347  
2004 GRAY GELDING

Playgun	Freckles Playboy
<b>Quakin Gun</b> - AQHA	Miss Silver Pistol
Quaketta	Peppy San Badger
	Quaker Lady
Mitzis Dude	Blondy's Dude
<b>Wicked Little Blondy</b> - AQHA	Mitzi Revenue
Wicked Barbe Doll	King Bars Surprise
	Third Cousin

**Camo Gun**, aka "Camo", is a top end gelding. He is strong quick and serious about his job. Easy to get along with and tries very hard. He has roped lots of cattle in the pasture and is started in the arena. Should make a big time calf or head horse.

**SIRE: Quakin Gun ...** Sired by PLAYGUN, \$183,538, World Show Junior Cutting (3rd), ROM Cutting, NCHA COA, High Point Jr Cutting Horse, 24 Performance points, El Cid Classic Open Champion, Steamboat Springs Classic Open Reserve Champion, Augusta Futurity Champion Open & Non-Pro. Out of Miss Silver Pistol, \$512,755 NCHA earnings. The 2007 NRCHA #6 Leading Sire; 2007 Equi-Stat #11 Leading Cutting Sire, siring earners of \$5,600,000, including MR BEAMON (\$304,887: NCHA Open Futurity Reserve Champion; NCHA Super Stakes Open Classic Champion). Sire of the dam of PLAYIN PLAYGUN (\$92,719: Lammles Futurity Champion).

**Michael Hartmann** was born and raised on a cow/calf, yearling operation in South Texas. Hartmann cattle raises and trains cow horses and roping horses.

## DOLCE POKE

AQHA #4709689  
2005 BLUE ROAN GELDING

Poco Bueno Image	Poco Bueno Tom
<b>Four Dolce Poke</b> - AQHA	Hugs Image
Dolce Hancock	Eddie Blue Hancock
	Dolce
Playboys Shadow	Freckles Playboy
<b>Hanna Girl</b> - AQHA	Miss Doc O Lena
Hanna Marie	Chipapo
	Hanna Cogdell

**Dulce Poke**, aka "Blue Boy", was born at our South Dakota operation and moved to our Texas Ranch as a two year old. He was ridden 10-15 times as a two year old and liking how he was progressing he was turned back out until he was three. Now he has been brought back and has had over 3,000 cattle head roped and dragged to the fire. He has been in the pasture to rope, doctor, and sort cattle. He has also been used at rodeos to drive and drag out stock. This horse is easy to catch and handle, excellent to trailer, and great in the big country. This big, stout gelding will make an outstanding horse and has the ability to take you anywhere. He will do it all.

**Rockin Diamond S Farms** is operated by the Stephens family and located in both the Foot Hills of South Central Texas and the Badlands of South Dakota. Operations consist of cow/calf and breeding operation. Along with Gartner Ranches they are running 60 broodmares and 4 stallions. Their breeding program produces solid working cow horses with stamina, disposition, good sense and color. Their horses are showing up around the working cow horse operations along with competition arenas throughout the U.S.

## PLAYVIEW ALAMO JR

AQHA #4696469  
2005 BROWN GELDING

Playgun	Freckles Playboy
<b>Play Per View</b> - AQHA	Miss Silver Pistol
Ruby Tequila	Doc O'Lena
	Playboys Ruby
Mr Gray Fork	Gray Dee Bar
<b>Forks Shay</b> - AQHA	Miss Fork 8
Faye Dun	Soda Pep
	Royale Honey Do

**Playview Alamo Jr** is a Playgun bred gelding from the Monte Jones horse program in Old Glory, Texas. He has done everything you can think of on the ranch. He has experience in checking cattle and doctoring yearlings. Been to all the ranch rodeos and has been team roped on a lot. Gentle for anyone to ride. Stands 15.1 at 1,175 lbs. A nice gelding.

**SIRE: Play Per View ...** Sired by PLAYGUN, \$183,538, World Show Junior Cutting (3rd), ROM Cutting, NCHA COA, High Point Jr Cutting Horse, 24 Performance points, El Cid Classic Open Champion, Steamboat Springs Classic Open Reserve Champion, Augusta Futurity Champion Open & Non-Pro. Out of Miss Silver Pistol, \$512,755 NCHA earnings. The 2007 NRCHA #6 Leading Sire; 2007 Equi-Stat #11 Leading Cutting Sire, siring earners of \$5,600,000, including MR BEAMON (\$304,887: NCHA Open Futurity Reserve Champion; NCHA Super Stakes Open Classic Champion). Sire of the dam of PLAYIN PLAYGUN (\$92,719: Lammles Futurity Champion).

**Joe Matkin/2J Livestock Ranches** in Frio County, Texas is primarily a cow/calf/yearling operation. This operation runs around 200 cows and 400-800 yearlings annually.

LOT **305**

PROPERTY OF **RANDON ADAMS**

## **FIREFOX BANNER**

AQHA #4281350  
2002 RED ROAN GELDING

Keep The Fire	Robert Redford
<b>Redfords Firefox</b> - AQHA	Lura's Rapid One
Alana Sue	Montie Richie
	89er's Sue Rae
Sir Seco Bar	Secorillo
<b>Seco Bar Sally</b> - AQHA	Bests Bar Jar
Heman Blue Lady	Mitche's Roannie
	Lady Peso

**Firefox Banner** is a nice head horse who scores well and has lots of rate. He gathers up nicely and faces strong. This gelding is gentle and broke. No need to ride him everyday. He will make a great competitive weekend horse and is already a money earner.

**Randon Adams**, the 2008 PRCA World Champion Heeler, has been training quality roping horses for several years. Western States Ranches, started by Wes Adams, has been known for raising and training not only successful roping horses but also horses that excel in many working cow horse disciplines. They strive to be foremost a reputable and reliable breeder and to assure that these qualities are the foundation of their marketing representation. Western States Ranches is also the home to "Diesel", the 4 time PRCA/AQHA Heel Horse of the Year.

LOT **306**

PROPERTY OF **KIP GILLILAND**

## **RX SUGAR FOOT**

AQHA #4805747  
2006 CHESTNUT GELDING

CJ Sugar	Son O Sugar
<b>Rx Sugar</b> - AQHA	Christy Jay
Docs Nickie	Doc's Prescription
	Bold Bar Nickie
Doctor Como	Son Ofa Doc
<b>Ima Foot Doctor</b> - AQHA	Baby Foot
Docs Baby Foot	Don Ofa Doc
	Baby Foot

**Rx Sugar Foot** has been used extensively on the ranch and also has experience in cutting, roping, gathering and sorting cattle. He has an excellent disposition and has been ridden by a seven year old young lady. He is extremely broke and gentle. He may crib if left in the stall. This horse has a great mind and should work well for anyone in the show pen or on the ranch.

**SIRE: Rx Sugar ...** Sired by CJ SUGAR, NCHA COA, finalist in the NCHA Open Futurity, \$8,866. Half brother to Colonel Freckles, NCHA Futurity Champion and was purchased from L.A. Waters by the King Ranch. His dam, Miss Pistol Lena, was the 1982 High Point Horse in the Alamo QHBA, South Texas CHA and Central Texas CHA. She is an own daughter of Doc O'Lena (NCHA Futurity Champion) and out of Miss Dido Pistol (AQHA Champion earning 22 Halter points and 24 Cutting points). Sire of the earners of \$278,781 NCHA, including Ginger Dee Rey, \$88,755, NCHA Non-Pro Classic Reserve Champion; etc.

**The Gilliland Family** has been raising, racing and showing AQHA Quarter Horses for over 50 years. Their experience encompasses running quarter horses, performance horses and working ranch horses.

LOT **307**

PROPERTY OF **CLAY DEADY**

# REYSINHELLINTEXAS

AQHA #4928142  
2006 BLACK GELDING

Bob Acre Doc	Son Ofa Doc
<b>Reysin Acres</b> - AQHA	Sapp's Sandy
Plain And Fancy Lew	Colonel Rey Lew
	Laicos Bunny
Zack T Wood	Doc Tari
<b>Zacks Peppy O Nita</b> - AQHA	Lintons Lady Doc
Gold Peponita	Peponita
	Lodis

**Reysinhellintexas**, aka "Bobby", is an all around horse. He has sorted, dragged and stripped cows. He has also been used in the gate and loaded over 200 trucks. Quiet, gentle and still alive. He is bomb proof. My 11 year old daughter and 9 year old son work on him as much as I do.

**SIRE: Reysin Acres** ... Sired by BOB ACRE DOC, \$426,136 NCHA earnings, Two-Time NCHA World Champion, NCHA Open & Non-Pro Finals Champion twice, NCHA Gold, Platinum, Silver & Bronze Awards, NCHA Hall of Fame. An equistat All-Time Leading Cutting Sire, siring the earners of over \$9,200,000 NCHA.

**DAM: Zacks Peppy O Nita** ... Daughter of ZACK T WOOD, \$180,750: AQHA World Champion; NCHA Open Classic Champion; 8th, NCHA Open Futurity; 3rd, NCHA Breeders 4-Year-Old Open; split 3rd, NCHA Non-Pro Classic. A 2009 NCHA Top 30 Leading Sire, siring earners of \$4,800,000.

**Clay Deady** has had experience in the yearling and cow-calf part of ranching since he was 18. He has worked for Bridwell Ranches, headquartered in Wichita Falls, for the last 15 years and the last 8 years as foreman at the Crosbyton Ranch.

LOT **308**

PROPERTY OF **H E SUTTON**

# BOOTSCOOTIN COONEY

AQHA #4700456  
2005 CHESTNUT GELDING

Smart Little Lena	Doc O'Lena
<b>Smart Lil Scoot</b> - AQHA	Smart Peppy
Sonscoot	Son O Sugar
	Miss Tiny
Peptoboonsmal	Peppy San Badger
<b>Cooney Boonsmal</b> - AQHA	Royal Blue Boon
Real Sweet Tee	Real Doc
	Pep Cee Bars

**Bootscootin Cooney** is broke and trained in cutting by Jason Clark. Then trained and shown in AQHA roping by Dustin Allen. Has been used on the ranch.

**SIRE: Smart Lil Scoot** ... \$266,425: NCHA Super Stakes Open Classic Champion; NCHA Open Classic/Challenge Champion; 5th, NCHA Open Futurity; finalist in the NCHA Open Super Stakes; Brazos Bash Open Classic Champion twice, etc. Brother to SWEET LIL LENA (\$124,843).

**Dustin Allen** a native of Oklahoma, has been around horses and cattle his entire life. Since a child, he has always wanted to train horses. His family has had a cattle business that he has helped with and he has also worked for several other large cattle and horse ranches while growing up. After graduating from Oklahoma State University, he worked for numerous top roping trainers including J.D. Yates, Gary Wells, Robbie Schroeder and Sam Rose. In 2004 he went out on his own and began doing what he had dreamed of, training horses for the public. Dustin is an APHA Tie-Down Roping World Champion and a multiple Finalist at the AQHA World Show. He now lives in Madisonville, Tx where he breaks colts and trains calf roping and team roping horses.

**LOT 309**

PROPERTY OF **TEAL AND COURTNEY BENNETT**

**DUSTERS DIDO**

AQHA #4088943  
2001 SORREL GELDING

**Dusters Dido**, aka "Vegas", is a very classy gelding with lots of shape that the whole family can enjoy. "Vegas" was born and raised on the LX Ranch which is located in the Texas Panhandle. He has been used in all phases of ranch work including having lots of cattle roped and sorted on him. He has competed in ranch rodeos and competitions. This horse has been heeled on as well. He is 100% sound and gentle.

**Teal Bennett** has had 15 years of experience in horse training, ranching, and roping industry. He has competed in ranch rodeos and competitions. He has spent most of his life in the ranching, feedyard and cattle care business.

Sweetwater Bay	Candy Drop
<b>What A Dido</b> - AQHA	Buckskin Kay
Clabber Bar Lady	Dr Clabber Bar
	Ms Jocelyn Hancock
Dusters Jeremy	RBM Duster Wolf
<b>Dusters Cleo</b> - AQHA	Zero's Mamie
Cleo Cardinal	Happy's Cardinal
	Krogs Codalena

**LOT 310**

PROPERTY OF **MARK MITCHELL**

**GRAY LAD HANCOCK**

AQHA #3931407  
2000 GRAY GELDING

**Gray Lad Hancock** is a ranch horse with credentials. He was purchased by the ranch in 2008 and has been used for both ranch work and competition. He was awarded Top Horse at the WRCA ranch rodeo in Hugo, CO in 2008 and again at the WRCA ranch rodeo in Waurika, OK in 2010. He also received Reserve Top Horse at Colorado Springs in 2008. Iron Man has been ridden by Hegan Lamb for the past three years. Has been taken to jackpot team roping and been successful. Great disposition.

**Mark Mitchell** part owner of The Crutch Ranch, along with Kathy Lyons and Becky Hanna, was established in Borger, Texas in 1945. The family ranch, which is approximately 13,000 acres and currently runs 450 head of cattle and 45 head of horses, is managed by Mark and his wife LeAnn. A small number of their herd is broodmares which average about 5 foals a year. The Crutch Ranch participates in WRCA sanctioned ranch rodeos, qualifying for the World Finals Ranch Rodeo for the last 3 years, as well as open ranch rodeos and amateur rodeos.

Red Eddie Hancock	Eddie Joe Hancock
<b>A Pretty Boy Hancock</b> - AQHA	Blue Fly Bars
Rosa Gray Hancock	Joe Buck Hancock
	Camps Blue Bars
Bar Talent	Easter Talent
<b>Graylady Bar Hancock</b> - AQHA	Frosty Doodle
Rankin Hancock Fly	Blue Boy Hancock
	Leo Fly Jr 1

LOT **311**

PROPERTY OF **LAWRENCE CATTLE COMPANY**

# PAULAS PISTOL PETE

AQHA #4625012  
2004 GRAY GELDING

Smart Little Lena	Doc O'Lena
<b>Smart Little Pistol</b> - AQHA	Smart Peppy
Miss Silver Pistol	Doc's Hickory
	Pistol Lady 2 Be
Go Neon Lite	Go Fly Away Go
<b>Arrow P Freckles</b> - AQHA	Marj Pat Star
Arrow P Okie Star	Mr Col Question
	Star Sabrina

**Paulas Pistol Pete**, aka "Pistol", is a nice ranch horse that has been used in every aspect on the ranch. He rides quiet and is gentle for anyone. He is an NCHA money earner of LTE \$2,176. Pistol is honest about everything he does and would be an asset to anyone's operation.

**SIRE: Smart Little Pistol ...** Abilene Spectacular All-Age \$50,000 Amateur Championship (4th), Abilene Western Open Derby Finalist, Glen Rose 5/6 Yr-Old \$50,000 Amateur Classic finalist, split 4th Chisholm Trail Open Classic Semifinalist, and more. Half brother to Playgun, \$183,583, Augusta 4-Yr-Old Open Futurity Champion and Non-Pro Futurity Champion, 1998 El Cid 5/6 Yr-Old Open Champion. Son of Smart Little Lena, \$743,275, NCHA Triple Crown Winner, Equistat #2 All-Time Leading Cutting Sire, siring the earners of over \$20,358,000.

**Lawrence Cattle Company.** B.C. Lawrence started his cattle and horse operation in Baylor and Knox counties in the late 1930's. Lawrence Cattle Co. is headquartered just south of Seymour, Texas on the banks of the Brazos River. Running 600 cows and turning out approximately 7,500 yearlings in Texas, New Mexico, Kansas, and Oklahoma. They are also involved in the cutting horse business.

LOT **312**

PROPERTY OF **LEW THOMPSON**

# LENAS DUN CAPTAIN

AQHA #4672238  
2005 DUN GELDING

Captain Lena	Doc O'Lena
<b>Nu Lena</b> - AQHA	Joker's Royal
Nu Liberty	Nu Bar
	Liberty Donna
Zan Silver Parr	Zan Parr Bar
<b>Zans Gray Revenuer</b> - AQHA	Miss Fort Knox
Revenuers Honey	Jacks Revenue
	Honey Do Well

**Lenas Dun Captain** is a six year old line back dun gelding sired by H&H Livestock's Nu Lena and is out of one our best Zan Silver Parr mares that is a proven producer of excellent ranch and rodeo event prospects. He is a very experienced ranch horse that has been a valuable part of the H&H Livestock remuda and has extensive experience in gathering, sorting, doctoring and roping cattle. He has had 60 days training with Jr Martinez of Poteet, Texas and is ready to go to work on any ranch or the roping pen.

**SIRE: Nu Lena ...** A grandson of Doc O'Lena, NCHA Open Futurity Champion, winning all go-rounds. An Equistat All-Time Leading Cutting Sire, an NRHA and AQHA All-Time Leading Sire, siring the earners of over \$17,400,000, including Smart Little Lena, \$743,275, NCHA Triple Crown, Equi-Stat #2 All-Time Leading Sire.

**DAM: Zans Gray Revenuer ...** Daughter of ZAN SILVER PARR, AQHA Superior Heading and Heeling Horse, earner of 124 AQHA points in Heading, Heeling, and Calf Roping, 1990 AQHA World Show Qualifier, \$5,276.

**Lew Thompson** is the manager of H & H Livestock in Pearshall, TX. H & H is the horse division of South Texas Cattle Marketing Group, which runs 4,000 mother cows and 3,000 replacement heifers.

LOT **313**

PROPERTY OF **WEST FARMS**

# DOS O REY

AQHA #4882549  
2006 BAY GELDING

Dual Pep	Peppy San Badger
<b>Dual Rey</b> - AQHA	Miss Dual Doc
Nurse Rey	Wyoming Doc
	Jay Moss
Poco San Lena	Doc O'Lena
<b>Doc Poco Lena</b> - AQHA	Pep's Holly
Jose Uno Poco	Smokin Jose
	Miss Poco Rack

**Dos O Rey**, aka "Junior", is a beautiful bay gelding with a wonderful disposition. Sired by the legendary Dual Rey. Junior is a finished cutter and ready to show. He has also been used on the ranch cutting, roping, sorting and dragging. Whether you are looking for a horse for a days work or your looking for a weekend show horse Junior is the one for you. Gentle for the whole family.

**SIRE: Dual Rey** ... \$105,038: Memphis 4-Year-Old Open Futurity Champion. The 2009 NCHA #2 Leading Sire and NRCHA #4 Leading Sire, siring earners of \$16,700,000, including REY DOWN SALLY (\$386,444: split 3rd, NCHA Open Futurity; Breeders Inv. Open Derby & Classic Champion; 3rd, 2010 NCHA Open Classic/Challenge), TR DUAL REY (\$353,174: NCHA Open Super Stakes and Derby Reserve Champion), DUAL SMART REY (\$330,436: NCHA Open Super Stakes Champion; AQHA World Champion), REYS DUAL BADGER (\$313,563: NCHA Horse of the Year).

**West Farms** run a small cow/calf operation in central Louisiana which specializes in ranch horses, cutters, penners and sorters. West Farms takes great pride in offering the public the very best horses they can find.

LOT **314**

PROPERTY OF **SHAWN HOLDEN**

# POCO PEPPY CAYENNE

AQHA #3765223  
1998 SORREL GELDING

Peppy San Badger	Mr San Peppy
<b>Little Peppy Concion</b> - AQHA	Sugar Badger
Peppys Concion	Mr San Peppy
	La Concion
Sugs Chita	Doc's Sug
<b>Chitas Paxton Gold</b> - AQHA	Panchita Streak
Models Paxton 1988	Doc Model
	Lot's Of Paxton

**Poco Peppy Cayenne** is a wonderful all around horse. He has been shown in reining, working cow horse, team roping and team penning. He has also been used in feedlot sorting. This horse is great on the trails or in the pasture. A must have for the entire family.

**SIRE: Little Peppy Concion** ... Sired by PEPPY SAN BADGER, 1977 NCHA Futurity Champion, 1978 Derby Champion, 1980 NCHA Reserve World Champion, NCHA Hall of Fame, and earner of \$172,710. An Equi-Stat All-Time Leading Cutting Sire, NRHA Leading Sire & NRCHA Leading Sire. Sire of money earners in excess of \$25,000,000, including Peptoboonsmal, NCHA Open Futurity Champion, \$180,487; Little Badger Dulce, NCHA Open Futurity Reserve Champion, NCHA Open Super Stakes Champion, NCHA Open Reserve World Champion, NCHA Horse of the Year, \$668,461; Haidas Little Pep, NCHA Futurity Reserve Champion, NCHA Reserve World Champion, \$425,174; Dual Pep, \$313,192; CD Olena, \$170,706; Our Little Dyno, \$369,130; etc.

**DAM: Chitas Paxton Gold** ... Granddaughter of DOC'S SUG, An Equistat All-Time Leading Cutting Sire, siring Sugs Gay Lady, \$304,888, NCHA Open Futurity Co-Reserve Champion. .

LOT **315**

PROPERTY OF **FRED BRAY RANCH**

## MRR MECOM RED

AQHA #4834322  
2006 GRAY GELDING

Haidas Little Pep	Peppy San Badger
<b>Mecom Blue</b> - AQHA	Doc's Haida
Royal Blue Boon	Boon Bar
	Royal Tincie
	Doc Bar
Handle Bar Doc	Camelot Clabber
<b>Lots Of Peppy Here</b> - AQHA	Peppys Scolder
A Perfect Lil Lady	Miss Peppy Uno

**MRR Mecom Red** is a real pretty, young gray gelding that has a lot of look and draw on a cow. He is a trained cutter that is being used on the ranch to do anything we need to do horseback. "Blue" will cut a cow, sort in the pens, rope in the pasture, open and close gates, etc. He also has good lead changes, a real nice sliding stop, nice spins, and can take a cow down the fence. In addition he is also really broke in the bridle. This beautiful young gelding stands 14.1 and weighs 1,000 lbs.

**SIRE: Mecom Blue ...** \$20,312: finalist in the NCHA Open Derby and Abilene Spectacular Open Derby. Brother to NOVEMBER DOVE (\$77,240); half brother to RED WHITE AND BOON (\$930,954: 5-time NCHA Non-Pro World Champion), BET YER BLUE BOONS (\$350,615: NCHA Hall of Fame; NCHA Open World Champion), AUTUMN BOON (\$258,185: NCHA Open Super Stakes Champion) and PEPTOBOONSMAL.

**DAM: Lots Of Peppy Here ...** Daughter of HANDLE BAR DOC, \$181,813, NCHA Open World Champion and World Champion Stallion, NCHA Open Finals Co-Champion, NCHA Hall of Fame. Sire of 53 AQHA point-earners, 92 money-earners, earning over \$1,521.

LOT **316**

PROPERTY OF **GUY P. PEACOCK**

## LITTLE JOES COLONEL

AQHA #4074367  
2001 BAY GELDING

Gay Bar King	Three Bars
<b>My Gay Bar King</b> - AQHA	Gay Widow
Manana's Mayme	Major's Manana
	Chic Annie
	Colonel Freckles
Colonel Legacy	Legacys Lady
<b>Now Shes Gone</b> - AQHA	Peponita
Miss Atinopep	Joe's Polly Anna

**Little Joes Colonel** is a nine year old bay gelding that was bred and raised in the rocks on a 600 section West Texas ranch where he has been used seasonally on a cow-calf operation. He has drug lots of calves to the fire and has had many wet blankets. He is a pleasure to be around. Easy to catch, load and shoe. Very cowy with a big stop. Has been heeled on for the past 5 months and taken to a few jackpots. Super broke, safe and 100% sound. He will make a great horse for any rider at any age.

**SIRE: My Gay Bar King ...** Sired by GAY BAR KING< 1996 Equistat #1 Leading Reined Cowhorse Maternal Grandsire and a Leading Cutting & Reining Maternal Grandsire.

**Guy P. Peacock** works on a cow-calf and ranch horse operation on a 600 section ranch in West Texas. They strive to raise stout, big boned, sound minded and foundation bred ranch horses. They try to keep a steady amount of young horses coming up in their ranch program so that they are able to sell a few good seasoned horses on an annual basis.

LOT **317**

PROPERTY OF **MICHELLE JAY**

## CATS ROYAL FLUSH

AQHA #4510015  
2004 SORREL GELDING

High Brow Hickory	Doc's Hickory
<b>High Brow Cat</b> - AQHA	Grulla San
Smart Little Kitty	Smart Little Lena
	Doc's Kitty
CD Olena	Doc O'Lena
<b>CD Royalty</b> - AQHA	CD Chica San Badger
Miss Royale Dry	Dry Doc
	Commandee King

**Cats Royal Flush**, aka "Sly", is currently in training with Giles Truebenbach. This gelding has an impeccable pedigree that is filled with money earners. He has a huge stop, is very cowy and an elegant mover. He has also had three years of cutting training and is guaranteed sound with no vices. He was not shown due to owner's finances but is eligible for all the ranch cutting competitions or AQHA Versatility Classes. Sly has also been hauled to team pennings and sorting jackpots and is a money earner. So gentle that he has been used as a lesson horse. This horse has experience in all phases on ranch work which include dragging calves to the fire, sorting, and doctoring in the pasture. He has also been used to halter break and start the ranch colts. Easy to catch and no matter your age or riding ability he will work for you. Our two year old daughter rides him around. Don't miss him, a great gelding.

**Michelle Jay and Giles Truebenbach** have been training horses their entire lives with a focus on cutting and ranching horses. They believe that starting a horse properly is the most important thing that you can do to ensure a good honest horse. They train all disciplines of horses for the public as well as prep for horse sales. They recently have had a demand for good honest kid ponies for all ages and levels or riders.

LOT **318**

PROPERTY OF **TIM RIDDLE**

## JESS MATE

AQHA #4423792  
2003 BAY GELDING

Smart Little Lena	Doc O'Lena
<b>Smart Mate</b> - AQHA	Smart Peppy
Freckles Playmate	Freckles Playboy
	Nip Nap
Fancy Doc	Doc Bar
<b>Fancy Doc Jessie</b> - AQHA	Fancy Three
Ima Imprint	Poco Imprint
	Little Miss Hobgood

**Jess Mate** is an NCHA earner of \$5,485. 2006 Royal Flush Non Pro Reserve Champion, 2007 MCHA Fall Festival Open Champion, 2007 MCHA Year End 4YO Non Pro Champion. He is not only a solid consistent performer but a pleasure to ride. He has been used on the ranch in all phases of ranch work. Has a big stop and a nice lead change. Gentle for anyone to ride. We also have started him in the roping pen.

**SIRE: Smart Mate ...** Smart Mate, Earner of \$51,350: NCHA Bronze Award; Southern 5/6-Year-Old Open Champion; finalist in the NCHA Open Classic; split 3rd, Abilene Western Open Classic; Denver Nationals NCHA Open Reserve Champion; State of Missouri Open Classic Reserve Champion. An Equi-Stat All-Time Leading Cutting Sire and the 2006 #7 Leading Cutting Sire, siring the earners of over \$4,000,000, including Nutn Buta Hounddog (\$163,398: NCHA Open Classic/Challenge Reserve Champion; PCCHA Open Futurity Reserve Champion; Brazos Bash Open Futurity champion.

**DAM: Fancy Doc Jessie ...** Granddaughter of DOC BAR, AQHA Hall of Fame. The All-Time Leading Paternal Grand-sire and Maternal Grandsire of Cutting Horses.

LOT **319**

PROPERTY OF **KLAY WATERS**

# WESTCO PG SAN BADGER

AQHA #4760108  
2005 BUCKSKIN GELDING

**Westco PG San Badger**, aka "Westco", a grandson of Playgun is a flashy buckskin gelding. He has been used in all aspects of ranch work. Rides really nice. "Westco" wants to be a really good horse. He has lots of speed and potential to be a great rope horse or a top horse at rodeos. 100% sound, gentle and athletic.

**SIRE: Playgun Kit ...** Sired by PLAYGUN, \$183,538, World Show Junior Cutting (3rd), ROM Cutting, NCHA COA, High Point Jr Cutting Horse, 24 Performance points, El Cid Classic Open Champion, Steamboat Springs Classic Open Reserve Champion, Augusta Futurity Champion Open & Non-Pro. Out of Miss Silver Pistol, \$512,755 NCHA earnings.

**Klay Waters** has been training Quarter Horses for over 20 years. He has taken care of thousands of head of outside cattle that has given him the opportunity to produce great ranch horses. He currently resides in Vega, Texas where he runs his training facility and owns Boothill Saloon and Grill with Rory Schepisi.

Playgun	Freckles Playboy
<b>Playgun Kit - AQHA</b>	Miss Silver Pistol
Gin Kitty	Tanquary Gin
	Quixote Kitty
Peppy San Badger	Mr San Peppy
<b>Tee Cross Tippy - AQHA</b>	Sugar Badger
Bar M Tippy Toe	Doc's J Jay
	Poco Bob's Tippy

LOT **320**

PROPERTY OF **DUSTIN AND QUINCY ALLEN**

# THE SIXTH MAN

AQHA #4518669  
2003 SORREL GELDING

**The Sixth Man** is a eight year old gelding that began his life in the reining arena. He was shown in reining, then in the Stock Horse Of Texas (SHOT) venues before hitting the roping pen. He has been in training with Dustin Allen for the last two years where he has become a great finished heading and heeling horse. He has qualified for the AQHA World Championship Show in the Amateur Heading and has also been hauled to numerous team roping, including the USTRC Finals. This horse has all the handle you would want in the show arena or out on the ranch.

**Dustin Allen** a native of Oklahoma, has been around horses and cattle his entire life. Since a child, he has always wanted to train horses. His family has had a cattle business that he has helped with and he has also worked for several other large cattle and horse ranches while growing up. After graduating from Oklahoma State University, he worked for numerous top roping trainers including J.D. Yates, Gary Wells, Robbie Schroeder and Sam Rose. In 2004 he went out on his own and began doing what he had dreamed of, training horses for the public. Dustin is an APHA Tie-Down Roping World Champion and a multiple Finalist at the AQHA World Show. He now lives in Madisonville, Tx where he breaks colts and trains calf roping and team roping horses.

Smart Chic Olena	Smart Little Lena
<b>Sailing Smart - AQHA</b>	Gay Sugar Chic
Sailing Doll	Topsail Cody
	Jinx Laurel
Doc Quixote	Doc Bar
<b>Lucy Quixote Rio - AQHA</b>	Magnolia Gal
Poco Lucy Ann	Poco Rip Cash
	Lilucy

LOT  
**321**

PROPERTY OF **COWBOY COLLECTION QH**

## APPTOBE A TAZ

AQHA #4660456  
2004 SORREL GELDING

Peptoboonsmal	Peppy San Badger
<b>Pepto Taz</b> - AQHA	Royal Blue Boon
Sweet Lil Lena	Smart Little Lena
	Sonscoot
Lauro Chiquito	Peppy San Badger
<b>Lauros Apttobe Rowdy</b> - AQHA	Laurelita
Tunas Red	San Peppy Hand
	Red Tuna

**Apttobe A Taz**, aka "Taz", is a bald-faced, bold moving gelding. His presence commands attention. A focused cutter, solid down the fence, and quiet on the trail. This gelding is fast to a steer and pulls strong to the horn. He leaves his mark stopping and stands with tough competition in conformation class. Pride of ownership is no extra charge. Just ride and enjoy. He is a quality investment that will yield an enjoyable return. Sound, gentle, awesome.

**SIRE: Pepto Taz** ... \$132,224: 6th, NCHA Open Super Stakes; Suncoast Winter Open Derby Champion; Suncoast Fall Open Derby Champion.

**DAM: Lauros Apttobe Rowdy** ... Granddaughter of Peppy San Badger.

**Cowboy Collection Quarter Horses** is jointly owned by Todd Richardson and Dana Boone, along with their daughter McKenzie. Located in Gainesville, Texas, Todd and Dana have been in the horse business for many years and have established a clientele of satisfied customers. Their specialty is training and marketing quality geldings that are familiar with roping, cutting, working cowhorse and trail. They also have mares and stallion prospects for your consideration. Emphasis is on horses that are "pretty to look at and nice to ride."

LOT  
**322**

PROPERTY OF **ADKINS RANCH**

## MBAR EASTER QUIXOTE

AQHA #3993527  
2000 BAY GELDING

Jae Bar Noble	Doc's Jack Sprat
<b>Jae Bar Zack</b> - AQHA	Rondos
Jae Bar Mitzi	Leo's Question
	Bud Bar Cinch
Smokin Manzana	Smokin Jose
<b>Manzanas Luxie Duck</b> - AQHA	Quixotes Manzana
Docs Sittin Duck	Docs Brother Egger
	Docalux

**Mbar Easter Quixote** was purchased by the ranch from a cutting trainer that has started him as a cutter. This horse has a full brother that won over \$30,000 in the cutting pen. He has spent nine years on the ranch where he has proved to be an outstanding work horse, holding up very well to the rough, rock terrain and thick brush on the ranch. He is a big, stout horse that is very cowy and exhibits the agility of a little horse. He has seen a lot of hard miles and wet saddle blankets. We have roped cows, bulls, yearlings and calves at branding and tagging on this horse. He has been team roped off of and used as a turnback horse. This stout, eye-catching horse is a very dependable mount.

**Adkins Ranch** is a very diverse operation that operates in Nolan and Haskell counties. The bulk of the land, 6,700 acres is located in Mulberry Canyon, south of Merkel, Texas. Adkins Ranch is known for their horses, being the home of Snorty Lena. They take pride in raising dependable, athletic, gentle horses that excel in both ranch work and in the performance arena. They are primarily a cow/calf operation that runs a few yearlings from time to time. Their ranch is very rugged, rocky and brushy which allows for their horses to get lots of mile on challenging terrain.

LOT **323**

PROPERTY OF **HUNTER WILLIAMS**

# SANTANASLUCKYFEATHER

AQHA #4897705  
2006 SORREL GELDING

High Brow Cat	High Brow Hickory
<b>Cats Red Feather</b> - AQHA	Smart Little Kitty
Smart Misty Dawn	Smart Little Lena
	Miss Quixote San
Justa Swinging Peppy	Peppy San Badger
<b>Swinging Santana</b> - AQHA	Special Medicine
Miss Santana Doc	Dry Doc
	Pepard

**Santanasluckyfeather** is a nice sorrel gelding used in the cutting arena. Trained by Jason Clark. He is a NCHA Super Stakes Limited Non Pro Finalist.

**SIRE: Cats Red Feather ...** \$221,223: NCHA Open Super Stakes Classic Reserve Champion twice; Abilene Spectacular 5/6-Year-Old Open Champion; PCCHA Open Classic/Challenge Champion; Galles Ranch Open Classic Reserve Champion; 3rd, Bonanza 5/6-Year-Old Open; split 3rd, Suncoast Fall 5/6-Year-Old Open Classic; split 6th, Abilene Spectacular Open Derby; 8th, Augusta 4-Year-Old Open Futurity, etc. Brother to CAT FORTUNE (\$89,397: 2007 NCHA Limited Open Classic/Challenge Champion, finalist in the Open), PURRCEPTIVE CAT (\$69,063: split 3rd, 2008 Brazos Bash Open Classic; finalist in the 2008 NCHA Super Stakes Open Classic); out of SMART MISTY DAWN (\$100,608). Sire of BRONZED FEATHER (\$132,419: split 6th, NCHA Non-Pro Futurity; 2007 Breeders Invitational Non-Pro Derby Reserve Champion; 2008 Bonanza Non-Pro Classic Reserve Champion.

**Hunter Williams** is the grandson of G Ranch, Merkel, Texas, owner Sonny Goode. He has been showing cutting horses for the past five years. The G Ranch is a cow/calf operation that breeds some nice cow bred horses.

LOT **324**

PROPERTY OF **T RICHARDSON**

# MISSIN INSTANT

AQHA #4686208  
2005 BAY GELDING

Doc's Hickory	Doc Bar
<b>SR Instant Choice</b> - AQHA	Miss Chickasha
Stylish Lynx	Doc's Lynx
	Stylish Squaw
Freckles Playboy	Jewel's Leo Bars
<b>Missin Playgirl</b> - AQHA	Gay Jay
Dox Miss N Gold	Miss N Cash
	Holly Baby

**Missin Instant**, aka "Gordo", is athletic and an easy and smooth traveler. Lots of expression on a cow and can cut a cow on loose rein. He is enjoyable to be around and gentle as a teddy bear. Gordo has had lots of outside cattle roped on him and has drug many colts. This horse will fit lots of people. He would make a great horse for a Stock Horse of Texas open or novice rider. Handy to have around.

**SIRE: SR Instant Choice ...** \$102,511, NCHA \$5,00 Novice Reserve World Champion, Congress Open Classic Champion, finalist in the NCHA Open Derby. Sire of BR Instant Replay, \$67,595, 2000 NCHA Open Derby Champion, 2000 Steamboat Springs Open Derby (split 5th); Instant Cash 595, \$64,133, NCHA Open Futurity finalist, 1999 Augusta 4-Year-Old Open Futurity finalist; Susies Star Choice, \$52,918, 2000 NCHA Open Derby (split 5th), 2000 Polo Ranch 4-Year-Old Open Reserve Champion; etc

**DAM: Missin Playgirl ...** Daughter of FRECKLES PLAYBOY, NCHA Silver Award, \$59,975, NCHA Open Futurity Co-Reserve Champion, NCHA Open Derby (3rd), Equistat #2 All-Time Leading Cutting Sire and an All-Time Leading Reined Cowhorse Sire, siring the earners of over \$28,480,000.

LOT **325**

PROPERTY OF **DARREN ROBERTSON**

# HES A BLUE GUN

AQHA #4855663  
2006 GRAY GELDING

Playgun	Freckles Playboy
<b>TRR Big Iron</b> - AQHA	Miss Silver Pistol
Miss N Dottie	Miss N Cash
	Seca Peca
Hot Coca Cola	Doc's Hotrodder
<b>Kit Cola</b> - AQHA	Hotrodder Uncola
Laie	Jose Kai
	Sister Kitty

**Hes A Blue Gun** is the deluxe ranch horse. He has been ridden hundreds of miles in all sorts of terrain. He has been used to drag and doctor calves in the pasture. I am confident that any buyer will enjoy him for years to come.

**SIRE: TRR Big Iron ...** Sired by PLAYGUN, LTE \$183,538, World Show Junior Cutting (3rd), ROM Cutting, NCHA COA, High Point Jr Cutting Horse, 24 Performance points, El Cid Classic Open Champion, Steamboat Springs Classic Open Reserve Champion, Augusta Futurity Champion Open & Non-Pro. Out of Miss Silver Pistol, \$512,755 NCHA earnings. The 2007 NRCHA #6 Leading Sire; 2007 Equi-Stat #11 Leading Cutting Sire, siring earners of \$5,600,000, including MR BEAMON (\$304,887: NCHA Open Futurity Reserve Champion; NCHA Super Stakes Open Classic Champion). Sire of the dam of PLAYIN PLAYGUN (\$92,719: Lammler Futurity Champion).

**Darren Robertson** is the foreman of Spade Farms, Inc located in Smyer, Texas. He has been employed at this ranch since 1991. Spade Farms, Inc is a cow/calf/stocker operation. Darren raises and rides his own horses. His horses are exceptional ranch horses and he looks forward to providing individuals with outstanding quality horses.

LOT **326**

PROPERTY OF **AARON STANFIELD**

# SMART LIL SCRIPTION

AQHA #4374664  
2003 GRAY GELDING

Smart Little Lena	Doc O'Lena
<b>Smart Prime Time</b> - AQHA	Smart Peppy
Barlons Toni	Barlon
	Thunder's Robin
Doc Chub	Doc's Prescription
<b>Streakscription</b> - AQHA	Poco Vera
Leos Script	Doc's Prescription
	Sally Leo Red

**Smart Lil Scription** has been owned by Stanfield Livestock for over a year. He has been used for all aspects of ranch work including doctoring, catching cattle, daywork, and ranch rodeos. He has had some heeling in the arena. He is ready to back in the box and haul to the jackpot.

**SIRE: Smart Prime Time ...** Sired by SMART LITTLE LENA, \$743,275: NCHA Triple Crown. Equi-Stat #2 All-Time Leading Cutting Sire, an NRHA and NRCHA All-Time Leading Sire, siring earners of \$39,300,000, including RED WHITE AND BOON (\$930,954: 5-time NCHA Non-Pro World Champion). #1 All-Time Leading Cutting Maternal Grandsire whose daughters have produced earners of \$45,600,000, including DUAL REY ME (\$814,292: 3-time NCHA Open World Champion; NCHA Hall of Fame), RED-NECK YACHTCLUB (\$525,205: Millionheir Open Derby Champion & Non-Pro Reserve Champion), THIRD CUTTING (\$444,413: 2009 NCHA Open Super Stakes Champion).

**DAM: Streakscription ...** Granddaughter of DOC'S PRESCRIPTION.

**Stanfield Livestock** is a yearling operation running 5,000 stockers annually.

LOT  
**327**

PROPERTY OF **MCKIBBON AND ZIMMERMAN**

## DIAMONDS LAST DUALLY

APHA #777414  
2003 CHESTNUT/SOLID GELDING

Peppy San Badger	Mr San Peppy
<b>Dual Pep</b> - AQHA	Sugar Badger
Miss Dual Doc	Doc's Remedy
	Miss Brooks Bar
Doc's Stinger	Doc Bar
<b>Diamond Sting</b> - AQHA	Bar Wasp
Diamond Jewel Wood	Diamond Jim
	Castro's Sister

**Diamonds Last Dually** is a super bred gelding that is a finished cutter, finished head horse and a finished mounted shooting horse. He has won money in all three of these events. Super gentle for anyone to ride and is as pretty of a horse as you will ever find. We have had this gelding for over three years and is one of the best I have ever owned.

**SIRE: Dual Pep ...** \$313,192: NCHA Open Classic Champion. The 2009 NCHA #5 Leading Sire and #5 All-Time Leading Sire, and a 2009 NRCHA Leading Sire, siring earners of \$23,500,000, including DUAL REY ME (\$814,292: 3-time NCHA Open World Champion; NCHA Hall of Fame; 2009 NCHA Open Finals Champion), DUALLY LENA (\$395,616: NCHA Non-Pro Gelding Stakes Champion; NCHA Open Futurity Reserve Champion), OLENA DUALLY (\$302,365: 3rd, NCHA Non-Pro Top Ten), TAPT TWICE (\$285,226: NCHA Super Stakes Non-Pro Classic Reserve Champion), PLAYBOY MCCRAE (\$264,562: NCHA Open Futurity Champion), AUTUMN BOON (\$258,185: NCHA Open Super Stakes Champion).

**DAM: Diamond Sting ...** Granddaughter of DOC BAR.

LOT  
**328**

PROPERTY OF **WEST FARMS**

## BLACK BAYOU BOON

AQHA #4849299  
2006 BLACK GELDING

Peptoboonsmal	Peppy San Badger
<b>Blue Bayou Boon</b> - AQHA	Royal Blue Boon
Max A Lena	Doc O Lena Boy
	Jet's Dreamboat
Smell The Magnolias	Son Ofa Doc
<b>The Magnolia Lady</b> - AQHA	Miss Magnolia Bar
Lady Dry Rye	Dry Bar Doc
	Dry Rye

**Black Bayou Boon** is a drop dead gorgeous fancy black gelding. Has big hips and conformation that a cowboy wants in a horse. He is a very nice young ranch horse that was started in cutting by Sean Flynn and broke the best in every way. If you want to rope, cut, sort or just ranch don't miss this gelding. He is a soft and smooth mover.

**SIRE: Blue Bayou Boon ...** Sired by PEPTOBOONSMAL, \$180,487: NCHA Open Futurity Champion; Bonanza 4-Year-Old Open Champion; Gold Coast 4-Year-Old Open Champion. Out of ROYAL BLUE BOON (Equi-Stat #1 All-Time Leading Producer). An Equi-Stat All-Time Leading Cutting Sire. The 2008 Equi-Stat #3 Leading Cutting Sire; a Top 20 All-Time Leading Reined Cowhorse Sire and a Leading Reining Sire, siring the earners of over \$12,700,00; including LITTLE PEPTO GAL (\$520,065: NCHA Horse of the Year, 3rd NCHA Open Futurity; 2002 Bonanza 4-Year-Old Open Champion; 5th, 2002 NCHA Open Super Stakes).

**West Farms** run a small cow/calf operation in central Louisiana which specializes in ranch horses, cutters, penners and sorters. West Farms takes great pride in offering the public the very best horses they can find.

LOT **329**

PROPERTY OF **JOHN MORGAN O'BRIEN**

# FANTASY PAY DAY

AQHA #4576249  
2004 SORREL GELDING

**Fantasy Pay Day**, aka "Jo Jo", is a talented sorrel gelding. He was bred and raised on the O'Brien Ranch. After living a natural pasture life for his first two years, he was brought up for breaking. Since his two year old year, he has been used on the ranch to work cattle and gather pastures. He has been required to rope, drag, and dependably doctor cattle for the past five years. Jo Jo is finished in heeling. He has also been in Versatility Ranch Horse training with Bo Crutchfield for the last eight months. This willing gelding is very trainable and easy to get along with.

**The O'Brien Ranch** of Beeville, Texas, was founded in 1856 as a cow/calf operation and continues as such today. Cattle are run on 90% of the ranch on open country. Cattle are gathered and worked horseback each week. Good horses are an important asset to the daily operations of the O'Brien Ranch. Their Quarter Horse breeding program began in the 1940s and continues as a reputable breeding program today. The South Texas ranch is family owned and operated and considers raising good, usable horses their greatest achievement. Their horses are known for their athletic ability and natural cow sense.

- |                                |                  |
|--------------------------------|------------------|
| Moon Rocket Obrien             | Musty Chubb      |
| <b>Pay Days Gray</b> - AQHA    | Candy Magnolia   |
| Miss Pay Day                   | Scoot's Bar      |
|                                | Miss Quail       |
| Dry Docs Image                 | Dry Doc          |
| <b>Ms Fantasy Image</b> - AQHA | Bunny Royal      |
| Ms Freckles Fantasy            | Freckles Fantasy |
|                                | My Honored Lady  |

LOT **330**

PROPERTY OF **RODNEY ROSENAUER**

# TWOSTEPIN AWAY

AQHA #4880977  
2006 PALOMINO GELDING

**Twostepin Away** is one of the nicest horses I have raised in 30 years. If Roy Rogers were alive today he would want to ride this horse. Pedigree both top and bottom are proven winners. He is a big stopper and spinner. He can cut a cow and is good down the fence. He also team ropes, heads and heels. There is no where that he goes that people don't ask about him. He likes what he does and does everything.

**SIRE: Wimpys Little Step ...** LTE \$185,757, NRHA Futurity Open Champion, Congress Straight Arrow Futurity Open Champion, New Trad Futurity Open Reserve Champion, sire of earners of more than \$2.5 million. Sired by NU CHEX TO CASH, earner of 381 AQHA points and over \$61,000: NRHA Limited Open and Intermediate Open World Champion; NRHA Non-Pro and Intermediate Non-Pro Reserve World Champion; AQHA High Point Reining and Working Cowhorse Champion; High Point Senior Reining Champion twice, etc. A 2007 NRHA Top 15 Leading Sire and All-Time Leading Sire, an NRCHA Leading Sire, and an AQHA Leading Sire of Performance ROM, siring the earners of \$1,400,000 and 4,600 points, including BIG CHEX TO CASH (\$207,769: NRHA Open Futurity Reserve Champion; 2007 NRHA Open Derby Reserve Champion), and many others.

- |                                  |                |
|----------------------------------|----------------|
| Nu Chex To Cash                  | Nu Cash        |
| <b>Wimpys Little Step</b> - AQHA | Amarilla Chex  |
| Leolita Step                     | Forty Seven    |
|                                  | Step Lite      |
| Squaw's Bar Bob                  | Squaw Leo      |
| <b>Squaws Rockaway</b> - AQHA    | Chiquita Bob   |
| Rockaway Sue                     | Bar S Rockaway |
|                                  | Mainline Sue   |

LOT **331**

PROPERTY OF **JULIE MCFARLANE**

## LIL LILO LEGEND

AQHA #4300270  
2002 SORREL GELDING

Smart Little Lena	Doc O'Lena
<b>Little Lenas Legend</b> - AQHA	Smart Peppy
Dox Elegant Girl	Peppy San Badger
	Elegant Doc
Peavy's Chris	Bob H Bars
<b>Irish Cranki</b> - AQHA	Molly's Dimple
Lucky Crank	Irish Michael
	Cranky To

**Lil Lilo Legend** is a nice broke gelding. He is an AQHA Youth World Show Qualifier in Reining and has been shown in the NRHA. Has also been shown in Stock Horse of Texas. Gentle enough for kids or anyone. An absolute pleasure to ride. Light cribber.

**SIRE: Little Lenas Legend ...** Sired by SMART LITTLE LENA, LTE \$743,275: NCHA Triple Crown. Equi-Stat #2 All-Time Leading Cutting Sire, an NRHA and NRCHA All-Time Leading Sire, siring earners of \$39,300,000, including RED WHITE AND BOON (\$930,954: 5-time NCHA Non-Pro World Champion). #1 All-Time Leading Cutting Maternal Grandsire whose daughters have produced earners of \$45,600,000, including DUAL REY ME (\$814,292: 3-time NCHA Open World Champion; NCHA Hall of Fame), RED-NECK YACHTCLUB (\$525,205: Millionheir Open Derby Champion & Non-Pro Reserve Champion), THIRD CUTTING (\$444,413: 2009 NCHA Open Super Stakes Champion).

LOT **332**

PROPERTY OF **RANDON ADAMS**

## REDFORDS GO

AQHA #4409119  
2003 RED ROAN GELDING

Keep The Fire	Robert Redford
<b>Redfords Firefox</b> - AQHA	Lura's Rapid One
Alana Sue	Montie Richie
	89er's Sue Rae
Ki N Go	Jet N Go
<b>Heel And Go</b> - AQHA	Lesa King
High Heel Lady	Smoke Heels
	Lakoda Jean

**Redfords Go** is a nice big heading gelding with lots of outside riding. He has been hauled a lot and is a money earner. Great in the box, ropes hard, faces strong and pulls good from the horn. This horse will fit any level of roper.

**Randon Adams**, the 2008 PRCA World Champion Heeler, has been training quality roping horses for several years. Western States Ranches, started by Wes Adams, has been known for raising and training not only successful roping horses but also horses that excel in many working cow horse disciplines. They strive to be foremost a reputable and reliable breeder and to assure that these qualities are the foundation of their marketing representation. Western States Ranches is also the home to "Diesel", the 4 time PRCA/AQHA Heel Horse of the Year.

LOT **333**

PROPERTY OF **BILLY LAMB**

# FREEDOMS LITTLE LENA

AQHA #4197955  
2002 CHESTNUT GELDING

Smart Little Uno	Smart Little Lena
<b>Little Pat Uno - AQHA</b>	Doc's Marmoset
Rey Jay Pat	Rey Jay Doc
	Patrona Dell
Smart Little Lena	Doc O'Lena
<b>Smart La Rae - AQHA</b>	Smart Peppy
Exit Fast	Doc Quixote
	Fast Exit

**Freedoms Little Lena**, aka "Pat", is the horse you will be proud to unload at the roping. Good looking with lots of chrome. He is stout and will turn every head in the crowd. This gelding ropes calves and heels. He will work for anyone and is a pleasure to ride. Great horse for ranch work.

**SIRE: Little Pat Uno ...** Sired by SMART LITTLE UNO, Earner of \$105,802, NCHA Open Super Stakes Champion, AQHA World Champion Junior Cutting Horse, NCHA Open Futurity finalist, Texas Gold 4-Year-Old Open Reserve Champion, Jackson Jubilee 4-Year-Old Open Champion, El Cid Open Maturity (split 3rd), etc.

**DAM: Smart La Rae ...** Sired by SMART LITTLE LENA, \$743,275: NCHA Triple Crown. Equi-Stat #2 All-Time Leading Cutting Sire, an NRHA and NRCHA All-Time Leading Sire, siring earners of \$39,300,000, including RED WHITE AND BOON (\$930,954: 5-time NCHA Non-Pro World Champion). #1 All-Time Leading Cutting Maternal Grand-sire whose daughters have produced earners of \$45,600,000, including DUAL REY ME (\$814,292: 3-time NCHA Open World Champion; NCHA Hall of Fame), RED-NECK YACHTCLUB (\$525,205: Millionheir Open Derby Champion & Non-Pro Reserve Champion).

LOT **334**

PROPERTY OF **CALEB RICE**

# ROCKY MOUNTAINS BOY

AQHA #4133017  
2000 BUCKSKIN GELDING

Lenas Star	Gold Lena
<b>Rocky Mountain Lena - AQHA</b>	Lee's Girl
Wayward Tracks	Poco Holey Doc
	Winning Chant
Sassy Poncho	Sassy Doc
<b>Sasafire - AQHA</b>	Likity Zip
Morning Fire	War Deck
	Pet Tigeress

**Rocky Mountains Boy** has had some day ranch work which includes dragging, mugging, sorting, and doctoring cattle. He has had some outside roping. This gelding has also been used in ranch rodeos.

**SIRE: Rocky Mountain Lena ...** A grandson of Gold Lena, sire of numerous champions in NCHA competition.

**DAM: Sasafire ...** She is a granddaughter of Sassy Doc (AQHA), a son of Doc Bar and out of Sassy Bars, 17 Halter points and 6 Performance points, own daughter of Sugar Bars. Sassy Doc is an NCHA money earner whose get have earned \$110,934 in NCHA, AQHA Halter and Performance point earners with a total of 738 points, including Sassy Patches, 36 AQHA Performance (ROM) points and \$13,313 NCHA; Sassy Panch, \$36,505 NCHA; My Sassy Cowboy, Superior Cutting, 54 Performance (ROM), \$1,230 NCHA; Cool Doc, World Champion Amateur Heading, High Point Amateur Heading, 32 Performance (ROM), 350.5 Amateur Performance (ROM); Sassy John Parker, 28 Performance (ROM), 57 Amateur Performance (ROM).

LOT **335**

PROPERTY OF **BODIE BUTLER**

# ROSCOS APPROACH

AQHA #4099591  
2001 BAY GELDING

**Roscós Approach** has had lots of cattle drug on him and has experience with catching cattle outside. Really nice sound ranch gelding. Has been a ranch horse all his life but not a kid's horse. He has been turned out for awhile and might be a little cold back.

Socks Straw Lobo	Sock's Nino
<b>Roscós Nino</b> - AQHA	Jackie Chico
Thompson Rosco Skip	Skip A Shift
	Miss Rosco Proctor
Bruce's Bid 12	Snooper Bid
<b>Bruce Approach</b> - AQHA	Miss Margene 82
Holly Approach	Deferred Bar
	Approach

LOT **336**

PROPERTY OF **MARK AND JENNIFER BAILEY**

# BOOHER QUINTAN JOE

AQHA #4680313  
2005 BAY ROAN GELDING

**Booher Quintan Joe**, aka "Jose", is a true blue ranch horse that has been used in all types of ranch work. He is extremely gentle with no quit in him. We have both used him while working at the sale barn in Conway. We pen cattle and work the alleys every Tuesday. He accepts every task we point him towards with a can-do attitude. Jose is a great sorting horse with a lot of cow savvy. Has roped cattle in the pasture. As a colt he was broke by a 62 year old man who put a lot of time and work into him. He has really been put to the test in every way and always answers back with a resounding, Yes. Mark is horseback everyday and Jose is his first choice to ride and really enjoys him. Our kids have ridden him on the ranch and out trail riding. He rides correct and is versatile enough to make a great show horse. This horse will be a great asset to anyone's barn.

Notaquita	Crockett Gay Bar
<b>Booher King</b> - AQHA	Puddin King
Fanny Fashion	Sak Em San
	Leta Drift
PC Bronsin	Sun Frost
<b>Blue Miss Nino 142</b> - AQHA	Red Rockette
Docs Miss Nino 142	Docs Decatholon
	Miss Nino 142

**DAM: Blue Miss Nino 142 ...** Daughter of PC BRONSIN, 2nd WFQHA World SR Ranch reining Open, 2nd WFQHA World Aged ST Open, 3rd WFQGA World SR Ranch Cutting Open, 4th WFQHA World SS Open, 3rd WFQHA World Team Sort Open, 6th WFQHA World WCH Open, 3rd WFQHA World BRL Open, 3rd WFQHA World SR Trail Open.

LOT **337**

PROPERTY OF **KIP GILLILAND**

## HTDRYCHEX

AQHA #4807032  
2006 BAY GELDING

Dusty Dry Tivio	Smart Chic Olena
<b>Dusty Dry Chex</b> - AQHA	Dry Dusty
Sharon Chex	Snickelfritz Chex
	Sharon Deck
Star Criado	Skipa Star
<b>Silver Bee Criado</b> - AQHA	Bar Criada
Skip Silver Bee	Silver Skip
	Dogie's Queen Bee

**Htdrychex** is very broke and gentle. He has a wonderful disposition and can do it all. He has been used extensively on our ranch in the South Texas Brush Country. Great minded, four black feet and is big enough to get the job done. He should work well for anybody in the show pen or on the ranch. He has been ridden by a seven year old in the pasture.

**SIRE: Dusty Dry Chex** ... A grandson of Smart Chic Olena, LTE \$167,471: NRHA Hall of Fame; World Champion Senior Reining & Cutting Horse. 2007 NRHA Four Million Dollar Sire, 2007 NRHA #2 Leading Sire; 2007 NRCHA #2 Leading Sire, and NRHA #3 All-Time Leading Sire; 2007 AQHA #1 Leading Sire of Open Performance ROM.

**DAM: Silver Bee Criado** ... She is a granddaughter of Skipa Star, sire of multiple AQHA World Champions, AQHA Reserve World Champions, AQHA Superior Award qualifiers, and AQHA ROM qualifiers.

**The Gilliland Family** has been raising, racing and showing AQHA Quarter Horses for over 50 years. Their experience encompasses running quarter horses, performance horses and working ranch horses.

LOT **338**

PROPERTY OF **SHAUN STRICKLAND**

## CAPTAIN

UNREGISTERED  
2000 BAY GELDING

**Captain** is a ranch horse deluxe. He is the horse in your pasture you can rely on to get the job done and with stunning fashion. He is used on a daily basis to gather, sort, doctor and brand cattle. This horse has a ton of cow and is shown in the RHAA and other Ranch Versatility Competitions. Recently shown in Project Cowboy, he was in the top 60 out of 170 horses from 35 states and 3 different countries. Captain is currently registered with the RHAA and his membership will transfer with him. You won't find another horse with this size and look that will work a cow and get the job done. Big horse and big heart.

**Shaun Strickland** was raised on horseback from growing up on a cattle ranch in Southwest, Texas. As a PRCA bareback rider, he was fortunate enough to travel to different countries and compete in rodeo. He has worked for many ranches in locations including Nevada, Oklahoma, Wyoming and Texas. He now works for a top notch facility in San Springs, Oklahoma where he trains horses and starts colts for their production sales. Horses that he has started and trained have gone on to make excellent PRCA performance horse, pickup horse, ranch versatility horses, and working ranch horses. Shaun also competed in ranch horse versatility competitions and recently rode in the Project Cowboy Event where he made it into the top 60 riders.

LOT  
**339**

PROPERTY OF **WILLIAM WELDON SMITH**

## OLENA ANDY CHEX

AQHA #4573760  
2004 SORREL GELDING

Mr Model Doc	Docs Budha
<b>Mr Doc Bar Leo</b> - AQHA	Dandy Model
Miss Four Six Leo	Comanche Leo Baldy
	Miss Four Six Cody
Od Poco Queno	Old Dominion
<b>Nickle Zero</b> - AQHA	Quenos Beauty
Olena Cola	Hot Coca Cola
	Olena Girl

**Olean Andy Chex** has been used in all phases of ranch work from dragging calves, roping and tying cattle down, working herds, and sorting cattle. This horse is old man gentle. Very cowy and has an easy way of moving around.

**SIRE: Mr Doc Bar Leo** ... A grandson of Docs Budha, earner of \$86,401 and 41 AQHA points, NCHA Platinum Award, ROM; sire of AQHA Halter and Performance point earners including a Reserve World Champion, multiple Performance ROMs, Superiors, plus offspring with NCHA, NRHA and NRCHA total earnings in excess of \$685,111 including BUDHAS MIKE, earner of \$57,290, NCHA COA; BUDHAS DOLL, earner of \$51,411, NCHA COA; DOC VANDALIA, earner of \$43,419 and producer of offspring earning \$50,582.

**William Weldon Smith** has been in the horse and cattle business for 20 years. He has day worked most of those years on a cow/calf operation. Every winter he tends to 3,000 yearlings on wheat. He knows what a good ranch horse is and what it takes to get the job done.

LOT  
**340**

PROPERTY OF **M&M QUARTER HORSES**

## TRAVELLEN HICKORY

AQHA #4917800  
2006 BAY GELDING

Doc's Hickory	Doc Bar
<b>Hickorys Indian Pep</b> - AQHA	Miss Chickasha
La Peppy Petite	Peppy San Badger
	Petite Otoe
Travalena	Doc O'Lena
<b>Travelen Oak</b> - AQHA	Bar Socks Babe
Tivio Oak	Doc's Oak
	Tessa Tivio

**Travelen Hickory**, aka "Indian", is a show stopper. Attractive, athletic and an awesome performer. He was trained for NRCHA 2009 Snaffle Bit Futurity. A quality individual that executes a big stop, pretty spins and intensity working a cow. You will enjoy him if riding a good one is your goal.

**SIRE: Hickorys Indian Pep** ... \$131,647: split 3rd, NCHANon-Pro Derby; Bonanza Non-Pro Classic Champion; split 5th, Abilene Spectacular Open Classic; Steamboat Springs Non-Pro Derby Reserve Champion; 6th, Polo Ranch Non-Pro Classic; finalist in the NCHA Super Stakes Open Classic/Challenge A 2009 NRCHA Top 30 Leading Sire, earners of \$1,100,000, including JOYS INDIAN PEP (\$122,820: NCHA Limited Non-Pro Futurity & Amateur Classic/Challenge Co-Reserve Champion; top 10, NCHA Non-Pro Super Stakes), HIP PLAYBOY (\$97,716: West Texas Open Futurity Champion).

**DAM: Travelen Oak** ... Daughter of TRAVALENA, LTE of \$105,605: NCHA Super Stakes Open Classic Reserve Champion. An Equi-Stat All-Time Leading Cutting Sire, siring earners of \$4,200,000.

LOT  
**341**

PROPERTY OF **WEST FARMS**

## IMASWEETPIOLENA

AQHA #4666024  
2005 SORREL GELDING

CD Olena	Doc O'Lena
<b>Lil Peppy CD</b> - AQHA	CD Chica San Badger
Lil Peppys Belle	Peppy San Badger
	Sen Bars Doll
Smart Little OJ	Sugar Ray Lena
<b>Ima Just Pie</b> - AQHA	Quixotes Cowin
Ima Sneak Preview	Poco Good Bird
	Dude's Preview

**Imasweetpieolena** is a super nice gelding with a wonderful disposition. This gelding is broke the best and is a NCHA earner. He is a big shapy gelding with the ability and breeding to go in any direction. He is a horse for the whole family and 100% in everyway. Gentle for the whole family.

**SIRE: Lil Peppy CD ...** Sired by CD OLENA, NCHA Horse of the Year. Earner of \$170,706, NCHA Futurity Open Champion, NCHA Derby Open Champion, Chisholm Trail Derby Open Reserve Champion, NCHA Horse of the Year. An Equi-Stat All Time Leading Cutting Sire and a Leading Reined Cowhorse Sire, siring the earners of over \$12,600,000; including SISTER CD, \$688,823, 2008 NCHA Super Stakes Open Classic Champion, 2007 NCHA Non-Pro Super Stakes Classic Champion, 2006 NCHA Non-Pro Super Stakes Champion, 2006 NCHA Non-Pro Super Stakes Champion.

**West Farms** run a small cow/calf operation in central Louisiana which specializes in ranch horses, cutters, penners and sorters. West Farms takes great pride in offering the public the very best horses they can find.

LOT  
**342**

PROPERTY OF **C. ROSS CONNER**

## A SPARKLING CHEXINIC

AQHA #4883013  
2006 BROWN GELDING

Shining Spark	Genuine Doc
<b>A Sparkling Vintage</b> - AQHA	Diamonds Sparkle
Vintage Badger	Peppy San Badger
	Taris Vintage
Bueno Chexinic	Reminic
<b>Chex Drive</b> - AQHA	Bueno Chex Kaweah
Buco Little Bit	Bucolena
	Little Bit O'Roam

**A Sparkling Chexinic** has been shown very limited, earning 6 or 8 AQHA points in reining. He is currently in training and will be shown in the Ranch Gelding Competition by Dustin Allen.

**SIRE: A Sparkling Vintage ...** \$62,674: NRHA Open Derby Champion; AQHA World Champion. 2002 AQHA #1 Leading Performance Sire; 2001 NRHA #1 Leading Sire, NRCHA #2 Leading Sire; the NRHA's youngest Million Dollar Sire and the NRHA #7 All-Time Leading Sire with only 5 actual crops to show, siring the earners of more than \$2,280,000 in NRHA, NRCHA, NCHA and other competition and AQHA earners of over 8,800 points, 14 AQHA World or Reserve World Champions, 139 ROM awards and 55 Superior Performance awards.

**DAM: Chex Drive ...** Granddaughter of REMINIC.

**Ross Conner** has been in the cattle and horse ranching business in Hempstead, Texas since 1970. He has operated in various disciplines with cattle from registered Simmental to cow/calf/yearling operations. His ranch has always raised horses for ranch use and currently has show horses for cutting, reining, and working cow horse.

LOT **343**

PROPERTY OF **BAR T QUARTER HORSES**

**LBP QUICK 706**

AQHA #4921057  
2007 BAY GELDING

Playgun	Freckles Playboy
<b>Little Bay Pistol</b> - AQHA	Miss Silver Pistol
Little Bay Freckle	Doc O'Lena
	Freckles Royal
Quick Emotion	Me Quick To
<b>RR Quick Amber</b> - AQHA	Jacque Sonita
Spanish Bar Ann	Brinks Spanish Bar
	Breezie Ann

**LBP Quick 706** is a great young gelding that has been used in all phases of ranch work from dragging calves to working in the feed lot. Has been fully trained for the Ranch Horse Competition and has been shown twice in this event.

**SIRE: Little Bay Pistol ...** Sired by PLAYGUN, \$183,538, World Show Junior Cutting (3rd), ROM Cutting, NCHA COA, High Point Jr Cutting Horse, 24 Performance points, El Cid Classic Open Champion, Steamboat Springs Classic Open Reserve Champion, Augusta Futurity Champion Open & Non-Pro. Out of Miss Silver Pistol, \$512,755 NCHA earnings. The 2007 NRCHA #6 Leading Sire; 2007 Equi-Stat #11 Leading Cutting Sire, siring earners of \$5,600,000, including MR BEAMON (\$304,887: NCHA Open Futurity Reserve Champion; NCHA Super Stakes Open Classic Champion). Sire of the dam of PLAYIN PLAYGUN (\$92,719: Lammles Futurity Champion).

**DAM: RR Quick Amber ...** Daughter of QUICK EMOTION, Open Halter point earner, 7 Open Performance points. Sire of RR Quick Silver, 1 Halter, 9 Performance, 19.5 Amateur Performance.

LOT **344**

PROPERTY OF **JOHN AND JENNIFER STILES**

**SPORT PISTOL**

AQHA #3833721  
1999 GRAY GELDING

Smart Little Lena	Doc O'Lena
<b>Smart Little Pistol</b> - AQHA	Smart Peppy
Miss Silver Pistol	Doc's Hickory
	Pistol Lady 2 Be
Doc Sport Model	Doc's Prescription
<b>Double B Della</b> - AQHA	Sporting Chick
Sugar Maudine	Flying Sugar
	Sporty Maudine

**Sport Pistol** has a ROM and is a money earner in reining and cutting. He was started in cutting by Gene Cook and then sent to Austin Shepard. He was shown by Jordan Larson as a three year old where he earned his ROM and money. He has also been shown in western, English, team penning, cutting, and reining events. This gelding has experience in rodeos and has been roped off of. He is great for kids that have never ridden and for adults that want to go out and compete.

**SIRE: Smart Little Pistol ...** Abilene Spectacular All-Age \$50,000 Amateur Championship (4th), Abilene Western Open Derby Finalist, Glen Rose 5/6 Yr-Old \$50,000 Amateur Classic finalist, split 4th Chisholm Trail Open Classic Semifinalist, Steamboat Springs 5/6 Yr-Old Non-Pro Finalist and earner of \$10,615. Half brother to PLAYGUN, \$183,583, Augusta 4-Yr-Old Open Futurity Champion and Non-Pro Futurity Champion, 1998 El Cid 5/6 Yr-Old Open Champion. Son of SMART LITTLE LENA, \$743,275, NCHA Triple Crown Winner, Equistat #2 All-Time Leading Cutting Sire, siring the earners of over \$20,358,000, Top Ten Leading Reining Sire.

**DAM: Double B Della ...** Granddaughter of DOC'S PRESCRIPTION.

LOT  
**345**

PROPERTY OF **MARK AND CLAUDINE GOODRICH**

## HERES MY MONEY CAT

AQHA #4886856  
2006 SORREL GELDING

High Brow Cat	High Brow Hickory
<b>Joses Smokin Cat</b> - AQHA	Smart Little Kitty
Smokin Carman	Smokin Jose
	Jae Bar Carman
Haidalena	Haidas Little Pep
<b>Moelisha</b> - AQHA	Lena's Sis
Flo Jo Lena	Doc Tari
	Play O Lena

**Heres My Money Cat**, aka "Ace", has been in training with Giles Truebenbach. He is an exceptionally bred gelding with lots of cow, eye appeal and athletic ability. Extremely gentle, 100% sound and has no vices. Ace is suitable for any rider and has had two years of cutting training plus has been used in all phases of ranch work. He has drug calves to the fire and been used to halter break and start colts on the ranch. We have hauled him to team penning and sorting jackpots where he has placed. Ace is legitimately broke to ride outside, cut a cow, and rope cattle with just a string. Our two year old daughter rides him. If you are looking for a great all around horse then Ace is the place.

**SIRE: Joses Smokin Cat ...** NCHA \$16,224. Sired by HIGH BROW CAT, LTE \$110,800: Augusta Open Classic Champion. NCHA#1 All-Time Leading Sire, earners of \$42,400,000.

**Mark and Claudine Goodrich** are based out of Emerald, Wisconsin where they run 120 head of elite performance Angus and Red Angus cattle with some of the top pedigrees in the nation. They also have a small band of exceptionally bred broodmares that are bred to their stud Jose's Smokin Cat, with NCHA earnings of \$16,224. Their foal crop throws foals with great athletic ability, conformation and great dispositions.

LOT  
**346**

PROPERTY OF **SHAWN HOLDEN**

## CATS MOTORCHROME

AQHA #4391320  
2003 SORREL GELDING

High Brow Cat	High Brow Hickory
<b>Cat Silver</b> - AQHA	Smart Little Kitty
Purdy Pistol	Peppy San Badger
	Miss Silver Pistol
Docs Fire	Doc's Hotrodder
<b>Docs Royal Flo Jo</b> - AQHA	Jan Perfection
Two T Royal Time	Royal Tony Jazz
	Miss Sherry Time

**Cats Motorchrome** has spent most of his time in the feed lot but in the last year has been used for ranch work in the Texas Panhandle. We have started team roping off of him and he has showed great promise. He will make a good head horse.

**SIRE: Cat Silver ...** Sired by HIGH BROW CAT, LTE \$110,800: Augusta Open Classic Champion. NCHA#1 All-Time Leading Sire, earners of \$42,400,000, including METALLIC CAT (\$637,711: 2009 NCHA Horse of the Year; NCHA Open Futurity Champion), BOON SAN KITTY (\$565,504: NCHA Horse of the Year; 2-time NCHA Open Classic/Challenge Champion), HIGH BROW CD (\$542,101: NCHA Horse of the Year; NCHA Open Futurity Champion), SMOOTH AS A CAT (\$501,873: NCHA Horse of the Year), OH CAY FELIX (\$439,614).

**DAM: Docs Royal Flo Jo ...** She is a granddaughter of Doc's Hotrodder, AQHA Champion, Superior Halter, earning 119 Halter, 26.5 Performance points. Sire of 21 ROM including Doctor Parker, Top Ten World Champion Gelding, 40 Halter points; Hotsa Honey, Top Ten AQHA World Champion Yearling Mare; etc.

LOT  
**347**

PROPERTY OF **FRED BRAY RANCH**

## BIG BLUE NORTHER

AQHA #4615775  
2004 SORREL GELDING

Haidas Little Pep	Peppy San Badger
<b>Mecom Blue</b> - AQHA	Doc's Haida
Royal Blue Boon	Boon Bar
	Royal Tincie
Son Ofa Doc	Doc Bar
<b>Jacqueline Doc</b> - AQHA	Jazzy Socks
Jacqueline Frost	Doc's Jack Frost
	89er's Lady

**Big Blue Norther** is a flashy, flashy big gelding. He sports four white socks and a blazed face. He is a big horse standing 15.1 and weighing 1,200 plus pounds. A real athlete. He was originally trained in cutting and is a direct son of the legendary NCHA cutting sire Mecom Blue and out of a daughter of the great Son Ofa Doc. He is good on the fence, broke in the bridle, will work a gate, has nice lead changes, will cut a cow and is gentle every time you get on him. When you get him home he will be one that everyone will notice.

**SIRE: Mecom Blue ...** \$20,312: finalist in the NCHA Open Derby and Abilene Spectacular Open Derby. Brother to NOVEMBER DOVE (\$77,240); half brother to RED WHITE AND BOON (\$930,954: 5-time NCHA Non-Pro World Champion), BET YER BLUE BOONS (\$350,615: NCHA Hall of Fame; NCHA Open World Champion), AUTUMN BOON (\$258,185) and PEPTOBOONSMAL.

**DAM: Jacqueline Doc ...** Daughter of SON OFA DOC, \$18,786. Reserve World Champion Senior Cutting, Top Ten World Champion Junior Cutting, 41 Cutting points. NCHA Bronze Award, Derby Semi Finalist Open. Sire of the earners of over \$5,054,661.

LOT  
**348**

PROPERTY OF **LAWRENCE CATTLE COMPANY**

## LIVE FROM HOLLYWOOD

AQHA #4855125  
2006 CHESTNUT GELDING

Peppy San Badger	Mr San Peppy
<b>Dual Pep</b> - AQHA	Sugar Badger
Miss Dual Doc	Doc's Remedy
	Miss Brooks Bar
Smart Little Lena	Doc O'Lena
<b>Hollywood Smart</b> - AQHA	Smart Peppy
Hollywood Nus	Nu Bar
	Hollywood Sally

**Live From Hollywood** is a really nice gelding that is really broke and always rides quiet and gentle. He has had two years of cutting training and could be tuned up and ready for showing. Has a big stop and will work a lot of rope. This gelding has a great disposition and is gentle for just about anyone. He is sound and always has been. Honest and has no bad habits.

**SIRE: Dual Pep ...** \$313,192: NCHA Open Classic Champion. The 2009 NCHA #5 Leading Sire and #5 All-Time Leading Sire, and a 2009 NRCHA Leading Sire, siring earners of \$23,500,000, including DUAL REY ME (\$814,292: 3-time NCHA Open World Champion; NCHA Hall of Fame; 2009 NCHA Open Finals Champion), DUALY LENA (\$395,616: NCHA Non-Pro Gelding Stakes Champion; NCHA Open Futurity Reserve Champion).

**Lawrence Cattle Company.** B.C. Lawrence started his cattle and horse operation in Baylor and Knox counties in the late 1930's. Lawrence Cattle Co. is headquartered just south of Seymour, Texas on the banks of the Brazos River. Running 600 cows and turning out approximately 7,500 yearlings in Texas, New Mexico, Kansas, and Oklahoma. They are also involved in the cutting horse business.

LOT  
**349**

PROPERTY OF **JOHN MORGAN O'BRIEN**

## PAY DAYS DIAMOND LU

AQHA #4746226  
2005 BAY GELDING

Moon Rocket Obrien	Musty Chubb
<b>Pay Days Gray</b> - AQHA	Candy Magnolia
Miss Pay Day	Scoot's Bar
	Miss Quail
Quincy Gay Bar	Gay Bar Morgan
<b>Quincy Diamond Lu</b> - AQHA	Quincy Princess
Scoots Diamond Lu	Scoot's Bar
	Miss Diamond Doll

**Pay Days Diamond Lu**, aka "Primo", is your classic ranch horse. This bay loves having a job and excelling at it. He was bred and raised on the O'Brien Ranch. After being brought in as a yearling and halter broke, he was returned to the pasture until he was broke to ride at age two. From that time on, he has been a working ranch horse. Many cattle have been roped on this solid gelding. He has been in Versatility Ranch Horse training with James O'Brien for the last eight months. Primo is a catty, alert horse and has a big stop.

**The O'Brien Ranch** of Beeville, Texas, was founded in 1856 as a cow/calf operation and continues as such today. Cattle are run on 90% of the ranch on open country. Cattle are gathered and worked horseback each week. Good horses are an important asset to the daily operations of the O'Brien Ranch. Their Quarter Horse breeding program began in the 1940s and continues as a reputable breeding program today. The South Texas ranch is family owned and operated and considers raising good, usable horses their greatest achievement. Their horses are known for their athletic ability and natural cow sense.

LOT  
**350**

PROPERTY OF **HARTMANN CATTLE COMPANY**

## BLONDYS RIP

AQHA #4909025  
2006 RED ROAN GELDING

Wyo Blue Bonnet	Leo Hancock Hayes
<b>Wyo O Blue</b> - AQHA	Mandys Sue Hawk
Bonnie O Blue	Plenty Try
	Bonny 02
Mitzis Dude	Blondy's Dude
<b>Buttermilk Babe</b> - AQHA	Mitzi Revenue
Third Cousin	Doc's Poco Bar
	Poco Taffy Bar

**Blondys Rip**, aka "Boo", is a nice young gelding that has been ridden in the pasture from day one. Good in the pens and will push cattle with no problem. He has doctored yearlings and has been used in the feedyard. He is going to make a really solid dependable horse with a lot of speed and ability. Anyone can ride him.

**SIRE: Wyo O Blue ...** A grandson of the foundation-bred sire, Leo Hancock Hayes, sire of AQHA ROM Performance qualifiers.

**DAM: Buttermilk Babe ...** A granddaughter of Blondy's Dude, sire of AQHA Champions, AQHA World Champions, and AQHA ROM performance qualifiers.

**Michael Hartmann** was born and raised on a cow/calf, yearling operation in South Texas. Hartmann cattle raises and trains cow horses and roping horses.

LOT  
**351**

PROPERTY OF **ROCKIN DIAMOND S RANCH**

## CADDO DANDY

APHA #488054  
1998 RED DUN/SOLID GELDING

**Caddo Dandy**, aka "Dunny", has been in our ranch remuda since he was a two year old. He was started off in the feed yard and has developed into our go-to horse. He will get down on his belly to cut a cow. He has roped and dragged to the fire and doctored cattle. If it can be done on horse-back he has done it. While his ranch skills are unlimited, take him off the ranch and he will do it all, even flag carry, poles and barrels. This horse will work for anyone, young or old, inexperienced or experienced. This flashy, stout red dun gelding is a must see.

**Rockin Diamond S Farms** is operated by the Stephens family and located in both the Foot Hills of South Central Texas and the Badlands of South Dakota. Operations consist of cow/calf and breeding operation. Along with Gartner Ranches they are running 60 broodmares and 4 stallions. Their breeding program produces solid working cow horses with stamina, disposition, good sense and color. Their horses are showing up around the working cow horse operations along with competition arenas throughout the U.S.

Caddo Captain	Bandits Lasan
<b>Caddo King</b> - APHA	Georges Chick
Andys Dawn	King Andy
	Lou Zan
Hollywood Star Doc	Docs Derby Dan
<b>Quin S Peppy</b> - AQHA	Starbrite Rose
Peppsie K Bar	Bright Package
	Peppy J Wimpy

LOT  
**352**

PROPERTY OF **DAVID AND DOLLY VILLARREAL**

## TEJAS DIEGO BAR

AQHA #4867741  
2006 CHESTNUT GELDING

**Tejas Diego Bar** is a nice all around ranch horse. He is started well in both heading and heeling. Solid, sound and excellent disposition. Good looking gelding.

**SIRE: Mr Doc Bar Boy ...** A grandson of Impressive Poise, multiple sire of AQHA World Champions, AQHA Reserve World Champions, AQHA Superior Award qualifiers and AQHA ROM qualifiers.

**DAM: Miss Quilchina Bar ...** Daughter of QUILCHINA BAR, 4 Open Performance, 2 Amateur Performance; Par Doc Tari, Novice Amateur point earner. Sired by Quilchina Bar, NCHA Reserve Finals, World Champion (3rd), \$45,585 NCHA, 4 Open Performance. Sire of Bar Five Quilchina, \$3,942 NCHA, 17 Open Performance (ROM); Miss Quilchina Gay, \$54,815 NCHA, NCHA Cutting Horse Futurity (12th); Lovulater \$10,090 NCHA; Poco Chinabar, \$11,491 NCHA, 13 Open Performance (ROM); Quilchina Bar King, \$51,793 NCHA, NCHA Cutting Horse Futurity (15th); Quilchina Iris, \$22,793 NCHA; etc.

The Impressive Bum	Impressive Poise
<b>Mr Doc Bar Boy</b> - AQHA	Bess Straw Maid
Docs Kasaba	Docs Tom Cat
	Gold Bet
Quilchina Bar	Doc Tari
<b>Miss Quilchina Bar</b> - AQHA	Bar San
Pride Of Petra	Chicaro's Tough
	Nifty Petra 61

LOT  
**353**

PROPERTY OF **TIM RIDDLE**

## HICKORY STARARIO

AQHA #4917398  
2007 BAY GELDING

Bob Acre Doc	Son Ofa Doc
<b>Bobs Hickory Rio</b> - AQHA	Sapp's Sandy
Gay Hickory Rio	Doc's Hickory
	Bissie Gay Bar
Grays Starlight	Peppy San Badger
<b>Staraleno</b> - AQHA	Doc's Starlight
Mary Jay Lena	Doc O'Lena
	Mary Jay Reed

**Hickory Starario** is a really nice gelding. He has been used extensively on the ranch. He has been used to sort and load cattle. He has also roped lots of cattle outside. He has been hauled to a few sorting and team roping events at local jackpots. Sound and gentle for anyone to ride.

**SIRE: Bobs Hickory Rio ...** Bobs Hickory Rio, \$148,209: NCHA Gold Award; NCHA Open World Champion; NCHA Senior Youth Reserve World Champion; NCHA \$10,000 Novice Finals Champion and Open Finals Reserve Champion; "The Non-Pro" NCHA Open Champion; finalist in the Brazos Bash Open Derby; Texas Junior Gray Memorial Cutting 5/6-Year-Old Open Champion; Houston Livestock Show NCHA Open Champion. Sire of WILD HICKORY BOB (\$103,176: 2007 NCHA Non-Pro Futurity Champion; 2008 NCHA Non-Pro Derby Champion; 5th, 2008 Brazos Bash Non-Pro Derby), BOBS HICKORY HAIDA (\$10,933: top 10, 2008 NCHA Amateur Super Stakes; 3rd, 2008 Bonanza Amateur Derby).

**DAM: Staraleno ...** Daughter of GRAYS STARLIGHT, LTE \$48,160: NCHA Bronze Award. An Equi-Stat Top 15 All-Time Leading Cutting Sire and NRHA Sire, an NRHA Million Dollar Sire; the 2007 #3 Reined Cowhorse Sire, siring the earners of over \$11,200,000.

LOT  
**354**

PROPERTY OF **SETH KUEHLER**

## BECACO FLO FOUR

AQHA #4546345  
2004 SORREL GELDING

Haidas Little Pep	Peppy San Badger
<b>Mr Haida Flo</b> - AQHA	Doc's Haida
Brinks Hickory Flo	Doc's Hickory
	Sugar Tianna
Doc Casbar	Doc Tari
<b>Becaco Tari Cas</b> - AQHA	Casbrook
Becaco Bar 411	Crowbar Beggs
	Becaco Badger 46

**Becaco Flo Four** is a very nice gelding. He has been used and has experience in every type of ranch work. He has been heeled off in the arena and shown many times with many wins. He is ready for anyone to take him and go.

**SIRE: Mr Haida Flo ...** Sired by HAIDAS LITTLE PEP, LTE \$425,174: NCHA Reserve World Champion; NCHA Open Futurity Reserve Champion; NCHA Gold Award. An Equi-Stat Top 15 All-Time Leading Cutting Sire, siring earners of \$9,600,000, including SNACKBOX (\$202,829: NCHA World Champion Stallion). A 2010 Equi-Stat Top 20 Leading Maternal Grandsire and a Top 25 All-Time Leading Cutting Maternal Grandsire, whose daughters have produced \$6,500,000, including REYS DUAL BADGER (\$313,562: NCHA Horse of the Year), PRF PLAYGUNS PEP (\$280,540: NCHA Non-Pro Reserve World Champion; NCHA Non-Pro Derby Reserve Champion), SQUEAKS MY ALIAS (\$274,807: 2-time NCHA Non-Pro World Champion).

**DAM: Becaco Tari Cas ...** Granddaughter of DOC TARI, NCHA Non-Pro Futurity Reserve Champion. An Equi-Stat All-Time Leading Cutting Sire.

LOT  
**355**

PROPERTY OF **EFRAIN CORRALES**

## TEXAS SANDRAW

AQHA #4754220  
2005 SORREL GELDING

Peppy San Badger	Mr San Peppy
<b>Texas Stray</b> - AQHA	Sugar Badger
Doctor Kachina	Doc's J Jay
	Jiffy Jepp
Peppy Motorscooter	Mr San Peppy
<b>Peppy Sandita</b> - AQHA	Miss Dry Doc
Lovely Scarlet	Mr Snooper
	Rayado Jill

**Texas Sandraw**, aka "Slim", has been used doctoring wheat cattle and has been started on heeling in the arena. My two kids ride Slim when I need help and they are ten and seven. An all around ranch horse that is sound and gentle.

**SIRE: Texas Stray ...** Sired by PEPPY SAN BADGER, 1977 NCHA Futurity Champion, 1978 Derby Champion, 1980 NCHA Reserve World Champion, NCHA Hall of Fame, and earner of \$172,710. An Equi-Stat All-Time Leading Cutting Sire, NRHA Leading Sire & NRCHA Leading Sire. Sire of money earners in excess of \$25,000,000, including Peptoboonsmal, NCHA Open Futurity Champion, \$180,487; Little Badger Dulce, NCHA Open Futurity Reserve Champion, NCHA Open Super Stakes Champion, NCHA Open Reserve World Champion, NCHA Horse of the Year, \$668,461; Haidas Little Pep, NCHA Futurity Reserve Champion, NCHA Reserve World Champion, \$425,174; Dual Pep, \$313,192; CD Olena, \$170,706; Our Little Dyno, \$369,130; etc.

**Efrain Corrales** has been in the cattle and horse business for 10 years. He manages a 4,000 head yard that also runs yearlings out on grass and wheat pastures. He is a member of the WRCA and RHAA in which he competes.

LOT  
**356**

PROPERTY OF **JASON BURSON**

## RR DOCS LITTLE SUGA

AQHA #4895780  
2006 SORREL GELDING

Sugs Country Boy	Doc's Sug
<b>Sugs Golden Model</b> - AQHA	Majors Duchess
Gay Bar Model	Royal Sport Model
	Gay Sissy Bar
Doc O Dude	Doc O'Lena
<b>EMF Dudes Clipper</b> - AQHA	Freckles Fancy
EMF Siemons Clipper	Peps Mr Doc
	Siemon's Cookie

**RR Docs Little Suga** is a coming five year old sorrel gelding with a long flax mane and tail. He has a big motor, control and a natural stop for any level of rider. This gelding has reining training and is an all around rope horse. He has been used in multiple phases of ranch work. He is stout with a very athletic build. He is ready to go to a jackpot either heading or heeling. This multi talented gelding has had a lot of calves tied down on him.

**SIRE: Sugs Golden Model ...** Grandson of DOC'S SUG, AQHA Champion, an Equistat All-Time Leading Cutting Sire, siring SUGS GAY LADY, \$304,888, NCHA Open Futurity Co-Reserve Champion, NCHA Open Super Stakes Reserve Champion.

**Jason Burson** attended Tarleton State University and competed on the rodeo team in team roping. During this time he worked for various cutting and rope horse trainers. He is now the owner of Bruin' B Performance Horses and a co-owner of 600 head of cattle with a cow/calf operation. His horses are exposed to multiple types of ranch work, before they are ever introduced into the arena. Jason is always riding a horse that he has trained while he competes in USTRC events, open rodeos and ranch rodeos.

LOT **357**

PROPERTY OF **SHAWN LIMING**

## LITTLEMAN

UNREGISTERED  
2003 SORREL GELDING

**Littleman**, raised by Shawn is a very smart, capable and willing horse. He has seen lots of miles in various terrain and country. This horse has been used in numerous pre-conditioning lots, large gathers, doctored wheat pasture cattle, and sorted cattle in pens, alleys and traps. He has been used to tag calves, push bulls and pull numerous cows and yearlings into the trailer. This gelding has been hauled many miles and loads great. My wife and kids ride him and he adapts to the calm need of watching over them, but is back to business when asked. He has great speed, tremendous stamina and plenty of grit.

**Shawn Liming** was raised in the Panhandle of Texas in the horse and cattle industry. After college he went to work for cutting horse trainer, Chubby Turner. He has also ridden horses for the public and day work. Shawn has spent time working for the Pitchfork Ranch and for Bob Young in Seymour where he tended to yearlings and wheat pasture cattle. He is currently serving as the manager for Adkins Ranch.

LOT **358**

PROPERTY OF **WEST FARMS**

## JAZZY LIL STAR

AQHA #4872001  
2006 SORREL GELDING

**Jazzy Lil Star**, aka "Deuce", is a big stout chrome gelding with lots of eye appeal. Deuce has a reining handle with nice sliding stops and a nice flat spin. He is very soft and responsive. Deuce has been ranched on and pulls from the horn. He is quiet and gentle for anyone. Don't miss out on him, he is a looker and will catch your eye.

**SIRE: Jazzy Little Bob ...** Sired by BOB ACRE DOC, \$426,136 NCHA earnings, Two-Time NCHA World Champion, NCHA Open & Non-Pro Finals Champion twice, NCHA Gold, Platinum, Silver & Bronze Awards, NCHA Hall of Fame. An equistat All-Time Leading Cutting Sire, siring the earners of over \$9,200,000 NCHA. A grandsire, whose daughters have produced more than \$3,000,000. Sire of an AUTUMN ACRE, \$324,360, split 4th in NCHA Open Futurity, PCCHA 4-Year-Old Open Stakes Reserve Champion; Not Quite An Acre, \$156,656, NCHA Horse of the Year, NCHA Open Classic/Challenge Champion.

**West Farms** run a small cow/calf operation in central Louisiana which specializes in ranch horses, cutters, penners and sorters. West Farms takes great pride in offering the public the very best horses they can find.

Bob Acre Doc	Son Ofa Doc
<b>Jazzy Little Bob</b> - AQHA	Sapp's Sandy
Pawnee Modern Jazz	Pawnee Eagle
	Jazzy Socks
	Lemac Goodbar
Good King Mac	Mama Oso
<b>Wilson Goodbar Star</b> - AQHA	Doc Wilson
Angel Wilson	Senbar Angel

LOT  
**359**

PROPERTY OF **H.E. SUTTON-S&S FARMS**

## SMARTYS SUGARMAN

AQHA #4894578  
2006 BAY GELDING

Smart Little Lena	Doc O'Lena
<b>Smart Lil Scoot</b> - AQHA	Smart Peppy
Sonscoot	Son O Sugar
	Miss Tiny
Son O Sugar	Sugar Bars
<b>Codys Priss</b> - AQHA	Leo Pan
Miss Cody Blossom	Triple Royal
	Blossom Cody

**Smartys Sugarman** is a five year old gelding by the great cutting sire, Smart Lil Scoot and out of a Son of Sugar mare. After 2 years of cutting training, he was sent to Dustin Allen for roping training. He has been roped on in the heeling and calf roping for the last year as well as day worked on a ranch. He has a great handle and a wonderful disposition with no bad habits. "Harley" is ready to make someone an excellent performance horse or ranch horse. Don't miss out on a great gelding with a ton of training!

**Dustin Allen** a native of Oklahoma, has been around horses and cattle his entire life. Since a child, he has always wanted to train horses. His family has had a cattle business that he has helped with and he has also worked for several other large cattle and horse ranches while growing up. After graduating from Oklahoma State University, he worked for numerous top roping trainers including J.D. Yates, Gary Wells, Robbie Schroeder and Sam Rose. In 2004 he went out on his own and began doing what he had dreamed of, training horses for the public. Dustin is an APHA Tie-Down Roping World Champion and a multiple Finalist at the AQHA World Show. He now lives in Madisonville, Tx where he breaks colts and trains calf roping and team roping horses.

LOT  
**360**

PROPERTY OF **RANDON ADAMS**

## PRICE OF A CROWN

AQHA #4799366  
2006 DUN GELDING

Bne Watch Me	Poco Docs Jessie
<b>Bne Watch Dee Cash</b> - AQHA	Tryees Lady Benear
Blains Cash McCue	Sonny Dee Cash
	Sue McCue Blain
Avalon Crown	Cool Smokey Breeze
<b>Tee Talley Crown</b> - AQHA	Reds Bit A Dusk
Tee Talley Sonny	Tee Talley Blue
	Lucky Sonny Belle

**Price Of A Crown** is a beautiful, shapely buckskin gelding that has been started in heeling. Really broke and gentle with lots of outside riding. This gelding has a great turn-around and is the right size. Has a great disposition and will work for a lot of riders.

**Randon Adams**, the 2008 PRCA World Champion Heeler, has been training quality roping horses for several years. Western States Ranches, started by Wes Adams, has been known for raising and training not only successful roping horses but also horses that excel in many working cow horse disciplines. They strive to be foremost a reputable and reliable breeder and to assure that these qualities are the foundation of their marketing representation. Western States Ranches is also the home to "Diesel", the 4 time PRCA/AQHA Heel Horse of the Year.

LOT  
**361**

PROPERTY OF **GUY P. PEACOCK**

## PEPPYS POBRE BAR

AQHA #4074896  
2001 SORREL GELDING

My Gay Bar King	Gay Bar King
<b>Peppy Bars 242</b> - AQHA	Manana's Mayme
Lady San Gris	Mr San Peppy
	Abrigo Gris
El Quinto	El Pobre
<b>Quintela Cinco</b> - AQHA	La Quinta
Miss Meg 21	Snooper Bid
	Red's Lady 33

**Peppys Pobre Bar** is a nine year old sorrel gelding that was bred and raised in the rocks on a 600 section West Texas ranch where he has been used seasonally on a cow-calf operation. He has drug lots of calves to the fire and has had many wet blankets. He is easy to catch, load, shoe and handle. 100% sound and safe for any rider. He will drag anything you rope. Would be a great horse for the whole family.

**SIRE: Peppy Bars 242 ...** Grand sire is GAY BAR KING, 1996 Equistat #1 Leading Reined Cowhorse Maternal Grandsire and a Leading Cutting & Reining Maternal Grandsire.

**Guy P. Peacock** works on a cow-calf and ranch horse operation on a 600 section ranch in West Texas. They strive to raise stout, big boned, sound minded and foundation bred ranch horses. They try to keep a steady amount of young horses coming up in their ranch program so that they are able to sell a few good seasoned horses on an annual basis.

LOT  
**362**

PROPERTY OF **AARON STANFIELD**

## LITTLE BONO

AQHA #5031433  
2006 PALOMINO GELDING

Uptown Lena	Doc O'Lena
<b>Lena Bad Dog</b> - AQHA	Playboys Super Girl
Ms Prissy Gold	Count The Gold
	Ms Jo Five
Poco San Lena	Doc O'Lena
<b>Sara San Lena</b> - AQHA	Pep's Holly
Peps Golden Step	Peppy San Badger
	Cool Pistol

**Little Bono** has been used by Stanfield Livestock for over two and half years. He has been used for all aspects of ranch work including doctoring, catching cattle, day work and ranch rodeos. He also has some heeling experience in the arena. Their eight year old son has also made drive on this gelding and enjoys riding him. This gelding is very athletic and would fit in any program.

**SIRE: Lena Bad Dog ...** Grand sire is DOC O'LENA, NCHA Open Futurity Champion, winning all go-rounds. Equistat #7 All-Time Leading Cutting Sire, an NRHA and AQHA All-Time Leading Sire, siring the earners of over \$17,400,000, including Smart Little Lena, \$743,275, NCHA Triple Crown, Equi-Stat #2 All-Time Leading Sire.

**DAM: Sara San Lena ...** Daughter of POCO SAN LENA, LTE Earner of \$32,550, 1990 NCHA Futurity Semi-Finalist, 1991 Abilene Western Derby Finalist, 1991 AQHA World Junior Cutting Finalist 4th, 1992 Bonanza 5/6 Year-Old Finalist, 1993 Georgia National 5/6 Year-Old Finalist, AQHA High Point Jr Cutting 9th, earner of 7 Cutting points.

**Stanfield Livestock** is a yearling operation running 5,000 stockers annually.

LOT **363**

PROPERTY OF **2J LIVESTOCK LP**

## GUNNIN FOUR ROJO

AQHA #4646377  
2005 GRAY GELDING

Playgun	Freckles Playboy
<b>Gunnin To Play</b> - AQHA	Miss Silver Pistol
Little Santana Pep	Peppy San Badger
	Miss Santana Doc
Eddie Eighty	Eddie 40
<b>Raspberry Rojo</b> - AQHA	Tootie Toot 71
Hancock Cinco	Happy Hancock
	My Beaver 6

**Gunnin Four Rojo** is a really nice young gelding that was bred on the Haythorn Ranch in Nebraska. He has seen lots of miles checking and doctoring cattle. He has also been to ranch rodeos. He can perform any ranch task you have in mind or can be taken to the arena. Gentle and easy to get along with. Stands 15 hand at 1,125 lbs.

**SIRE: Gunnin To Play ...** Sired by PLAYGUN, \$183,538, World Show Junior Cutting (3rd), ROM Cutting, NCHA COA, High Point Jr Cutting Horse, 24 Performance points, El Cid Classic Open Champion, Steamboat Springs Classic Open Reserve Champion, Augusta Futurity Champion Open & Non-Pro. Out of Miss Silver Pistol, \$512,755 NCHA earnings. The 2007 NRCHA #6 Leading Sire; 2007 Equi-Stat #11 Leading Cutting Sire, siring earners of \$5,600,000, including MR BEAMON (\$304,887: NCHA Open Futurity Reserve Champion; NCHA Super Stakes Open Classic Champion). Sire of the dam of PLAYIN PLAYGUN (\$92,719: Lammles Futurity Champion).

**Joe Matkin/2J Livestock Ranches** in Frio County, Texas is primarily a cow/calf/yearling operation. This operation runs around 200 cows and 400-800 yearlings annually.

LOT **364**

PROPERTY OF **KIP GILLILAND**

## TIMOTEO SUERTE

AQHA #4637038  
2005 SORREL GELDING

King Correon	Continental King
<b>Suerte Fuerte</b> - AQHA	Canadian Gold
Docs Little Devil	Doc's Prescription
	Ima Soba Too
Zans Last Parr	Zan Parr Bar
<b>Zans Bee Parr</b> - AQHA	Dimonds Nifty Lady
Silver Bee Criado	Star Criado
	Skip Silver Bee

**Timoteo Suerte** is very broke and gentle. This gelding has a great disposition and is very athletic. He could be shown in a reining or working cow horse class. He is gentle to ride and has been used extensively on our ranch in the South Texas Brush Country. He has a great mind and should work well for anybody in the show pen or on the ranch.

**SIRE: Suerte Fuerte ...** A grandson of Continental King, sire of numerous AQHA ROM qualifiers in most of the performance events.

**DAM: Zans Bee Parr ...** She is a granddaughter of Zan Parr Bar, an All-Time Leading Sire of AQHA Champions and Point Earners, AQHA World Champion Halter Stallion three times, the first horse to achieve that mark. Earner of 114 Grand Championships and 13 Reserve Championships and lifetime 602 halter and performance points. His foals earned 44 World Championships, 33 Reserve World Championships, 43 year-end high-point wins, and more.

**The Gilliland Family** has been raising, racing and showing AQHA Quarter Horses for over 50 years. Their experience encompasses running quarter horses, performance horses and working ranch horses.

# NOTES